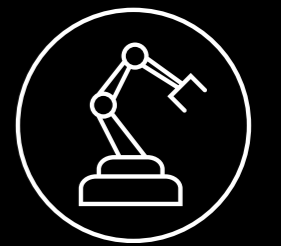




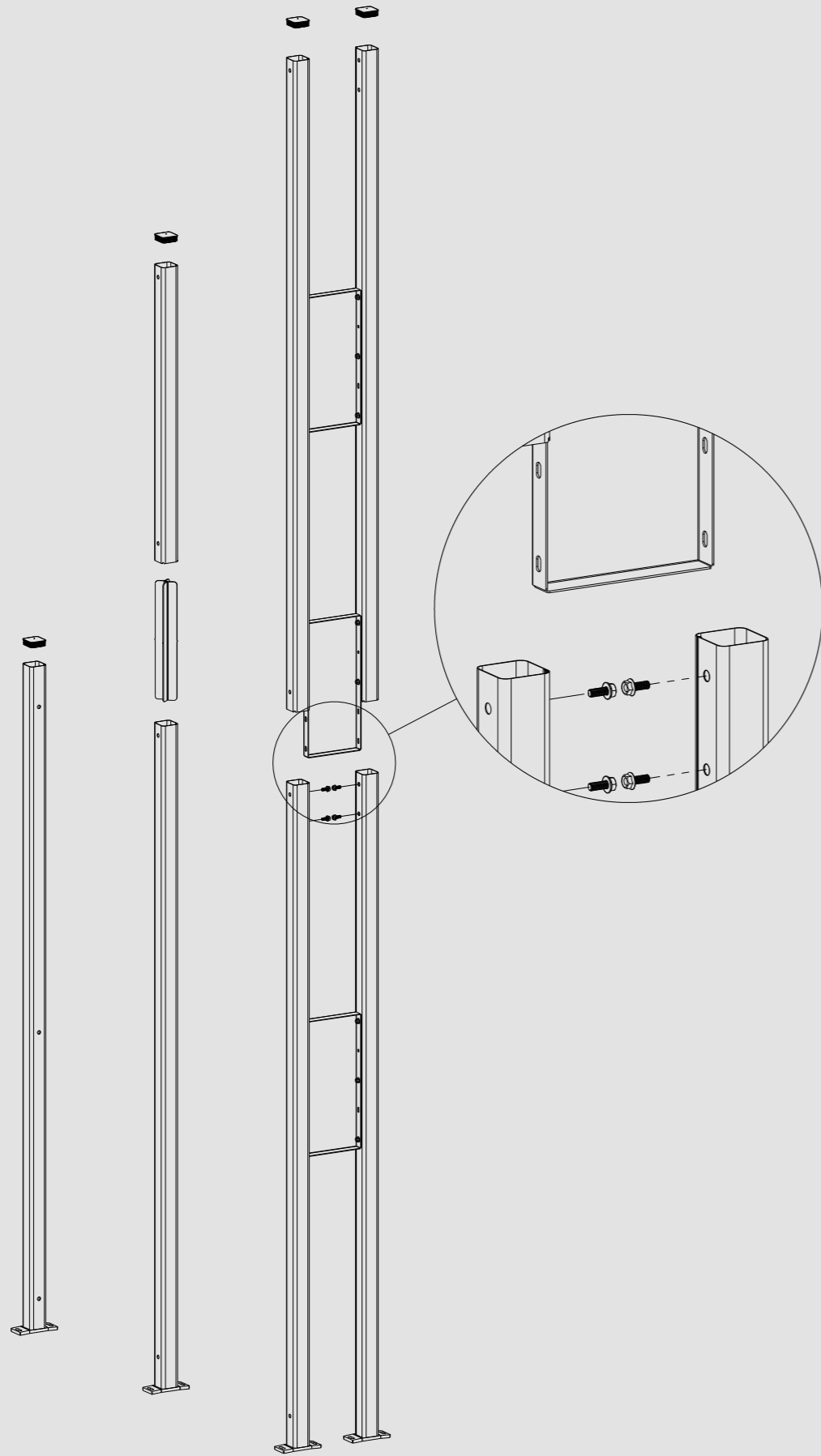
# CLOISONS INDUSTRIELLES



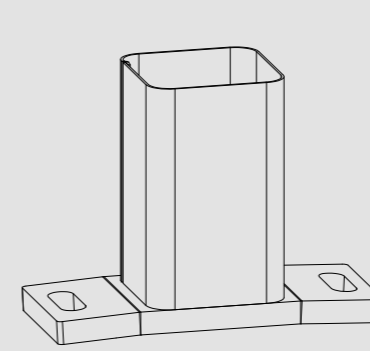
# MACHINE GUARDS

MACHINE GUARDS THAT SIMPLIFY  
YOUR EVERYDAY LIFE

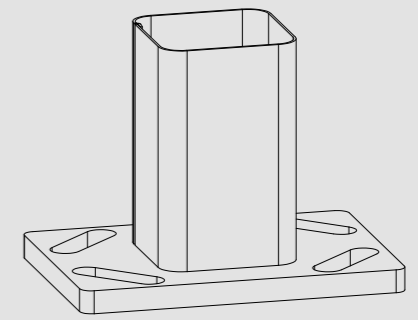
# POSTS



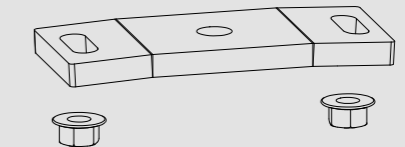
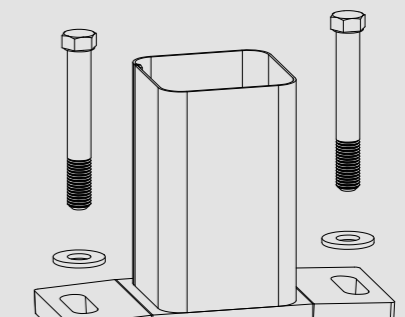
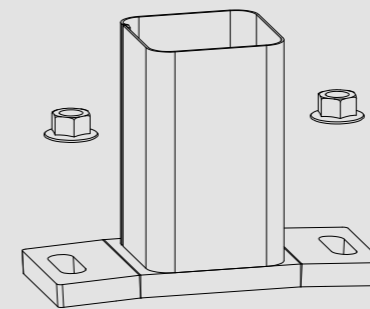
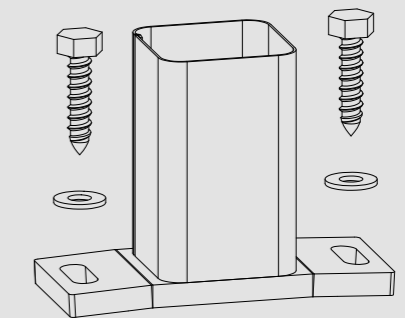
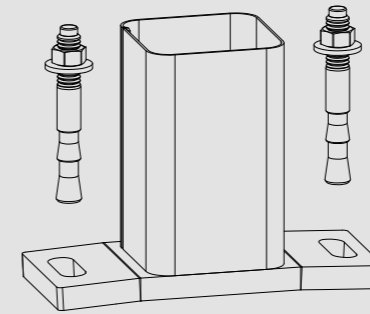
# POSTS, FLOOR FIXINGS



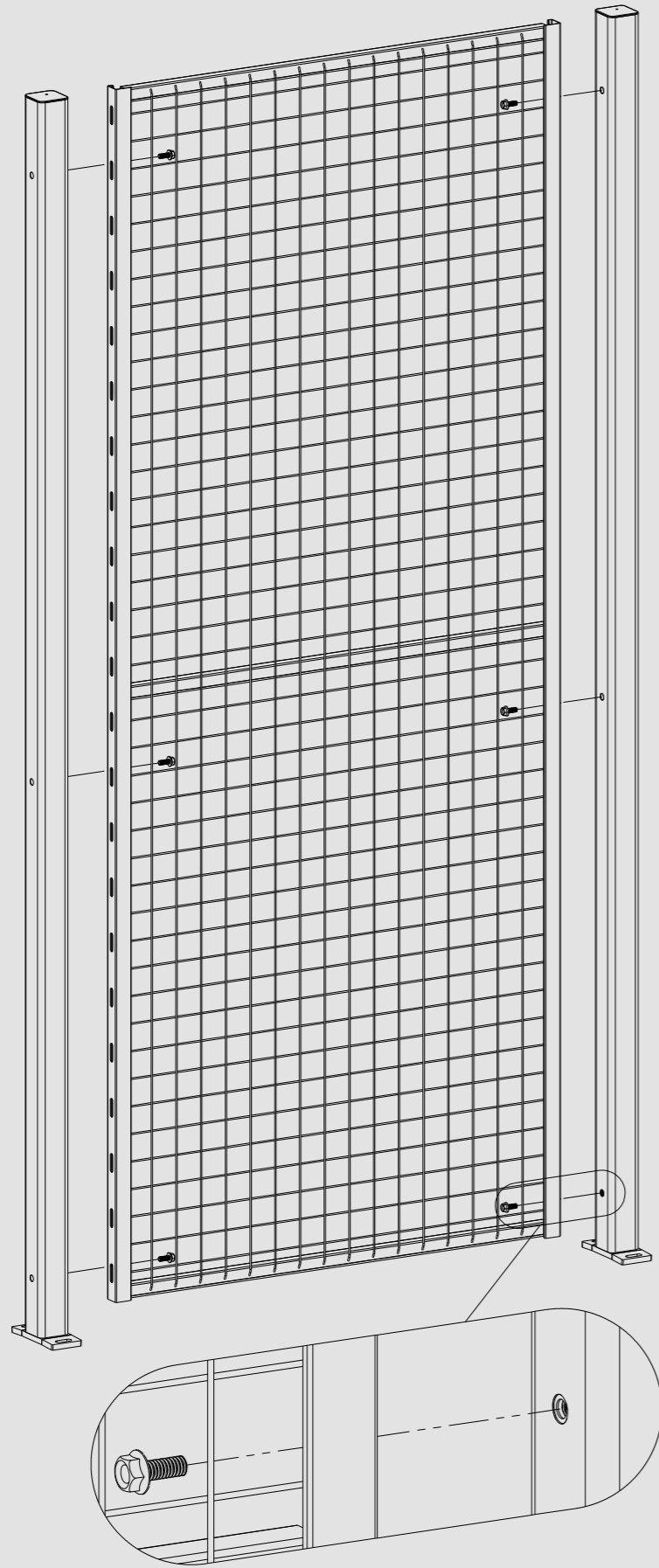
Type 1 142x60



Type 2 142x100

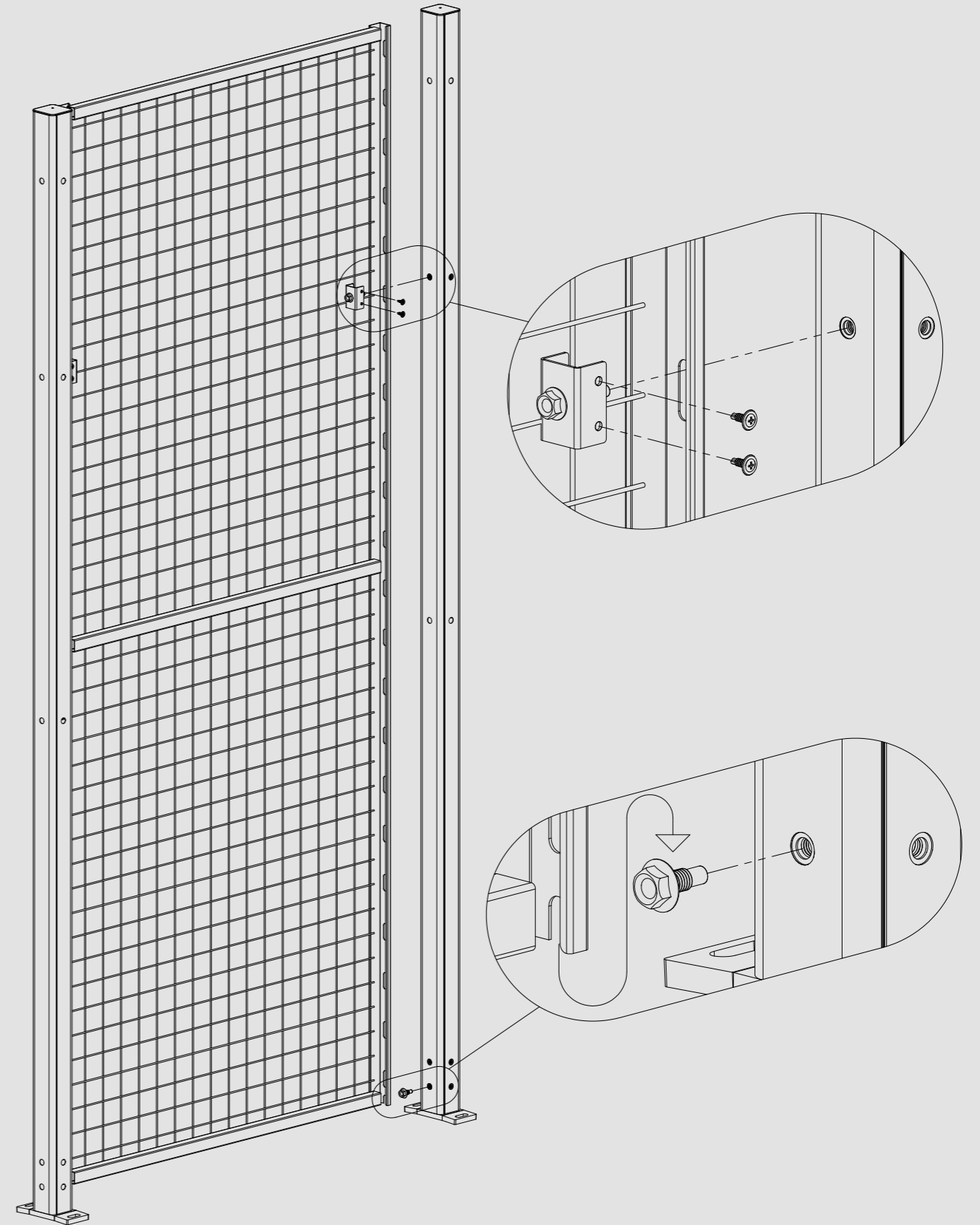


## WALL WITH BOLTS



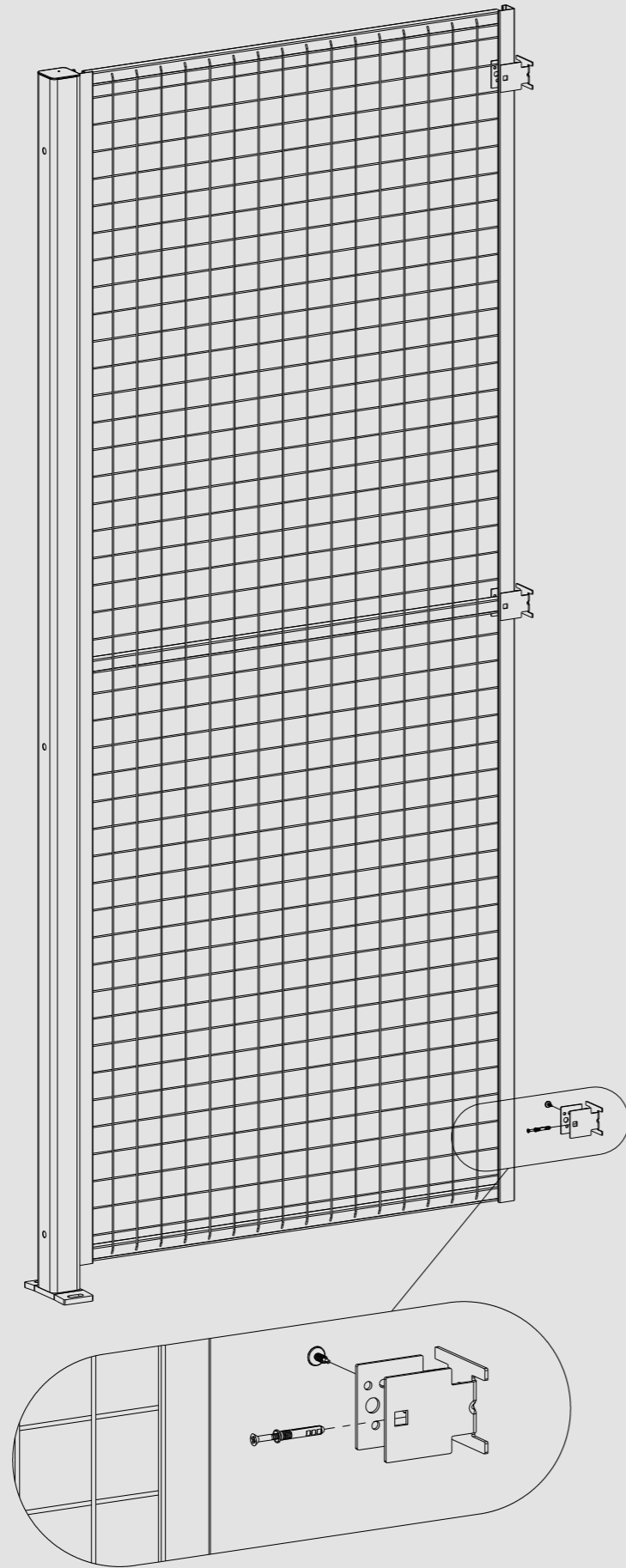
## WALL WITH RETAINED BOLTS

702-003-003

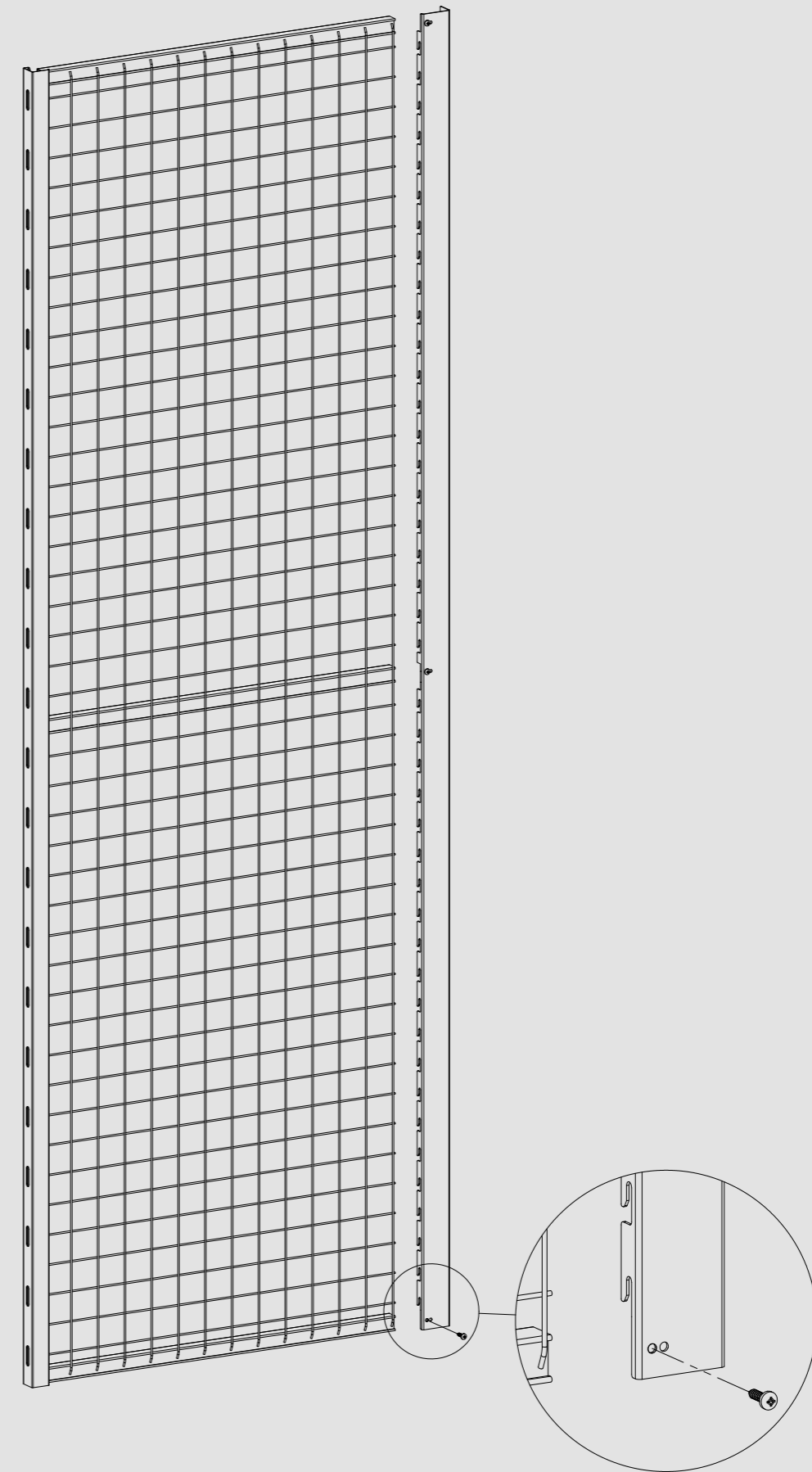


## WALL FIXING

701-003-102

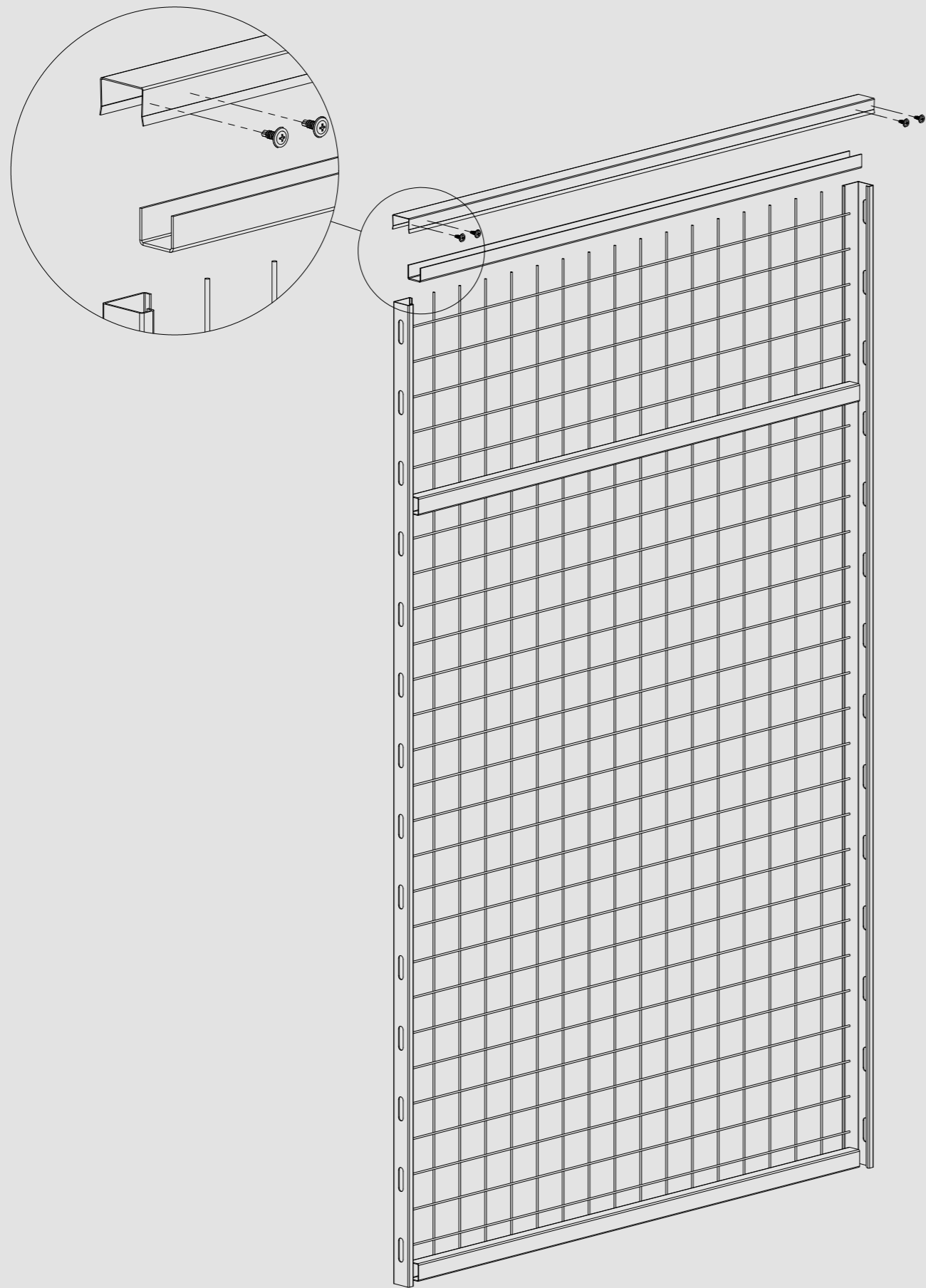


## VERTICAL CUTTING



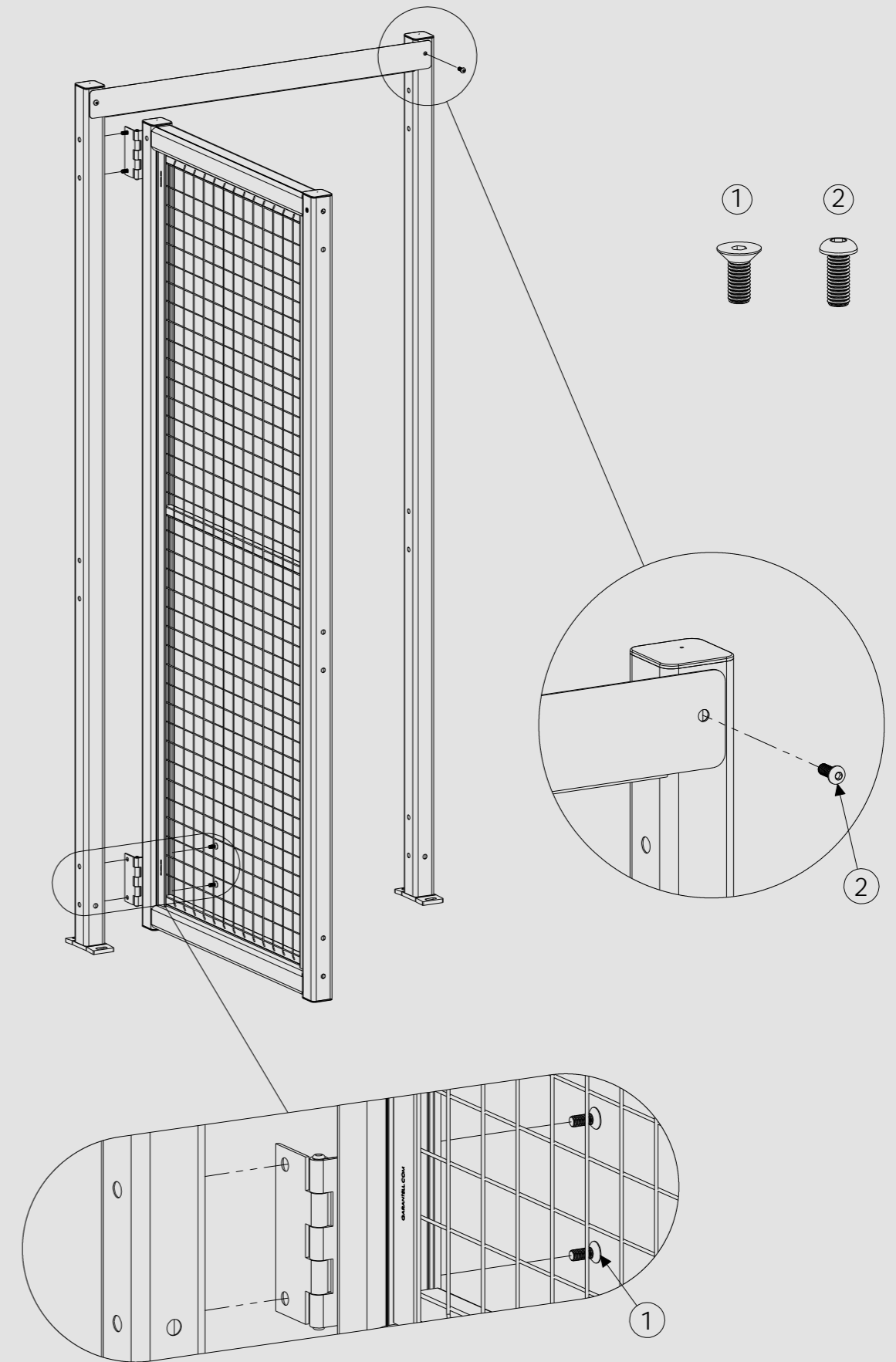


## HORIZONTAL CUTTING



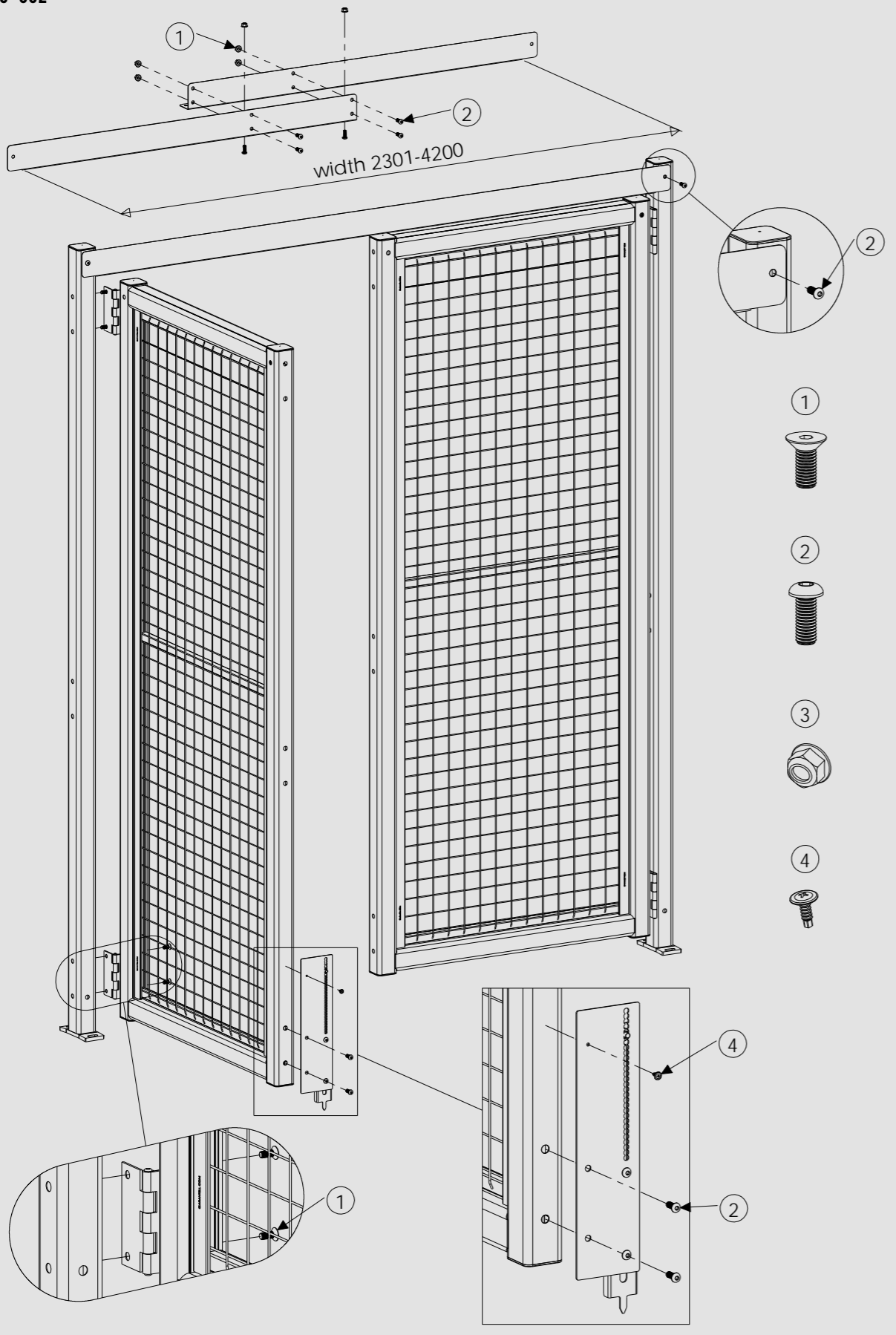
## SINGLE HINGED DOOR

712-003-001



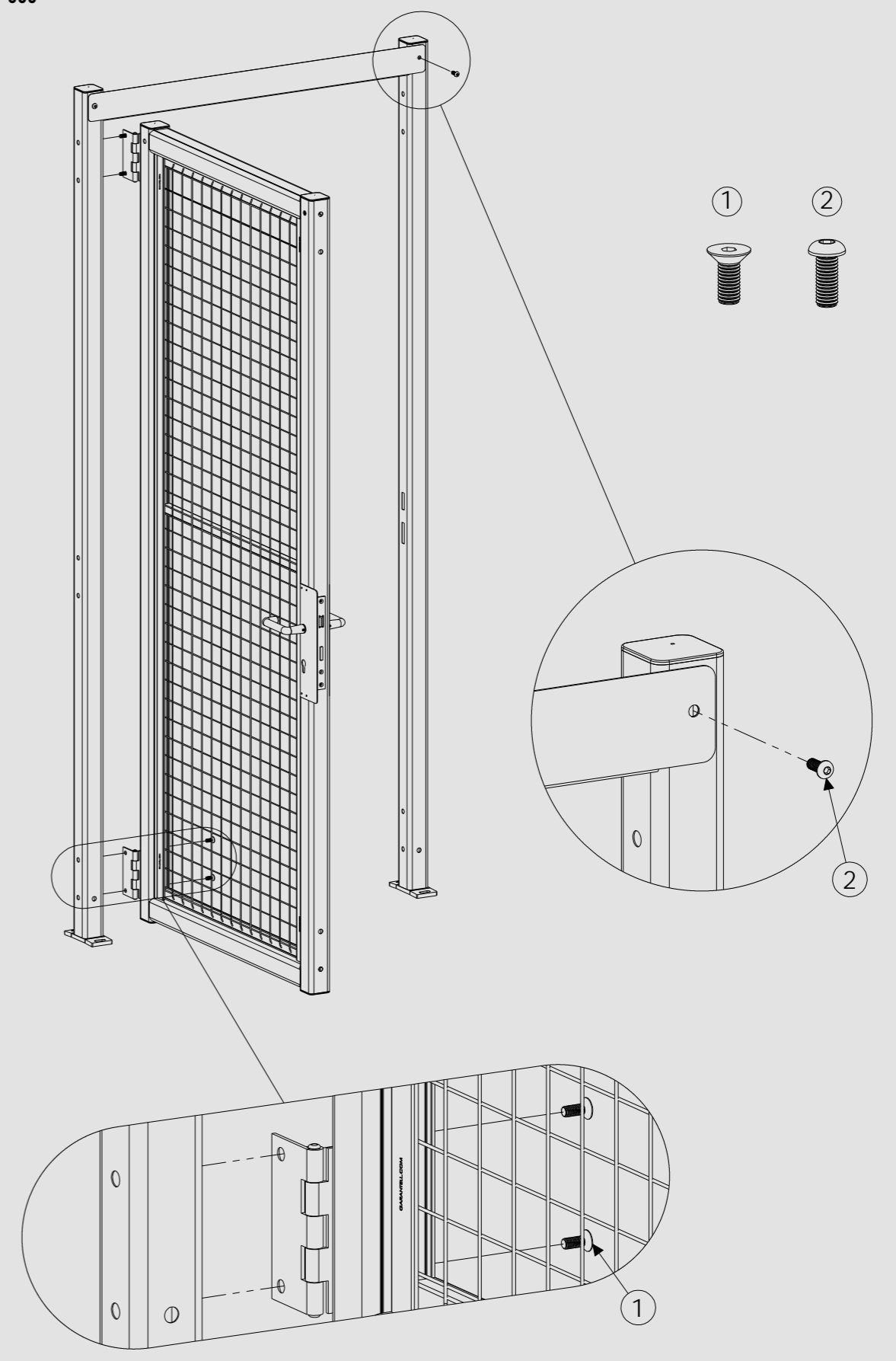
# DOUBLE HINGED DOOR

712-003-002



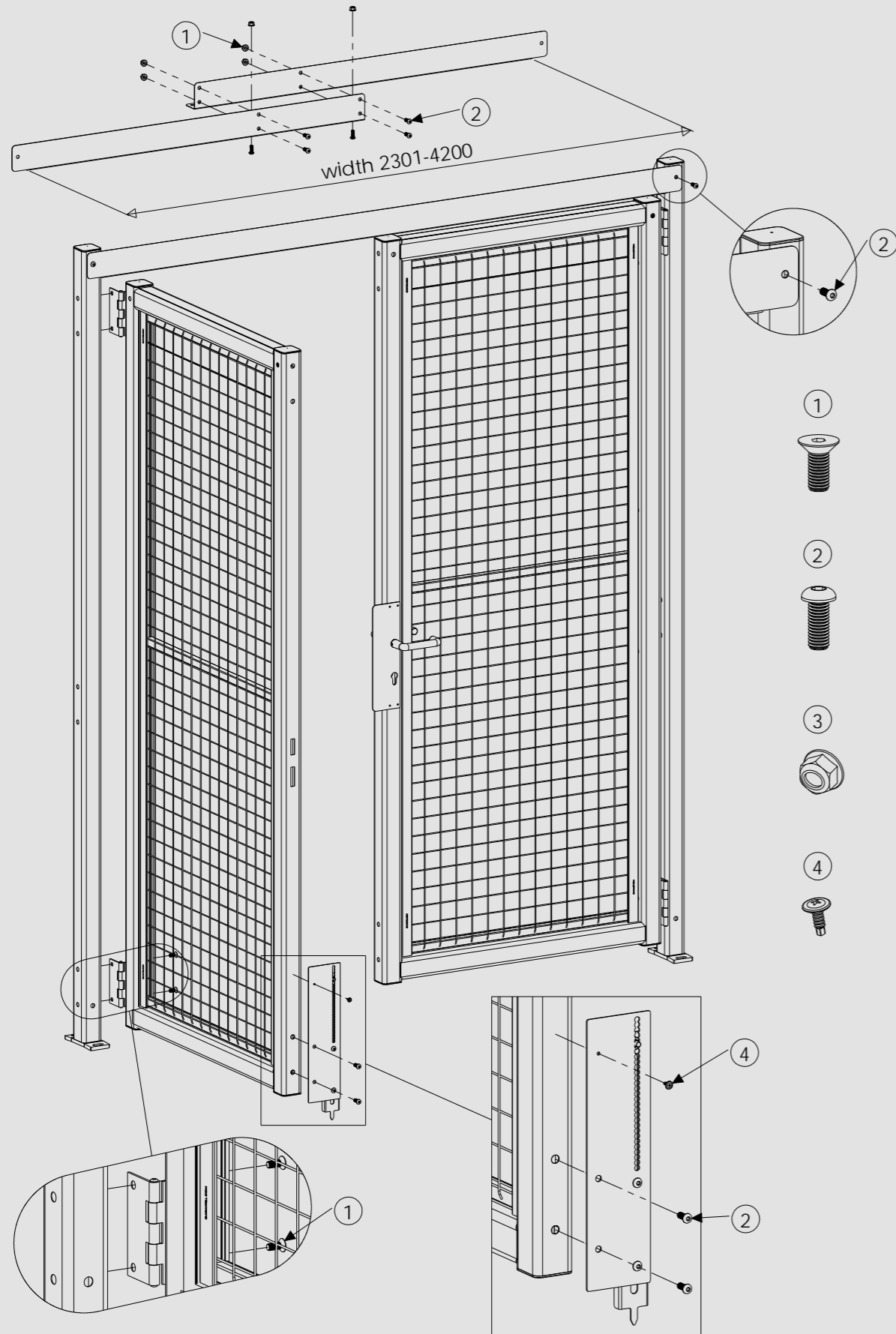
# SINGLE HINGED DOOR, EURO CYLINDER LOCK

712-003-003



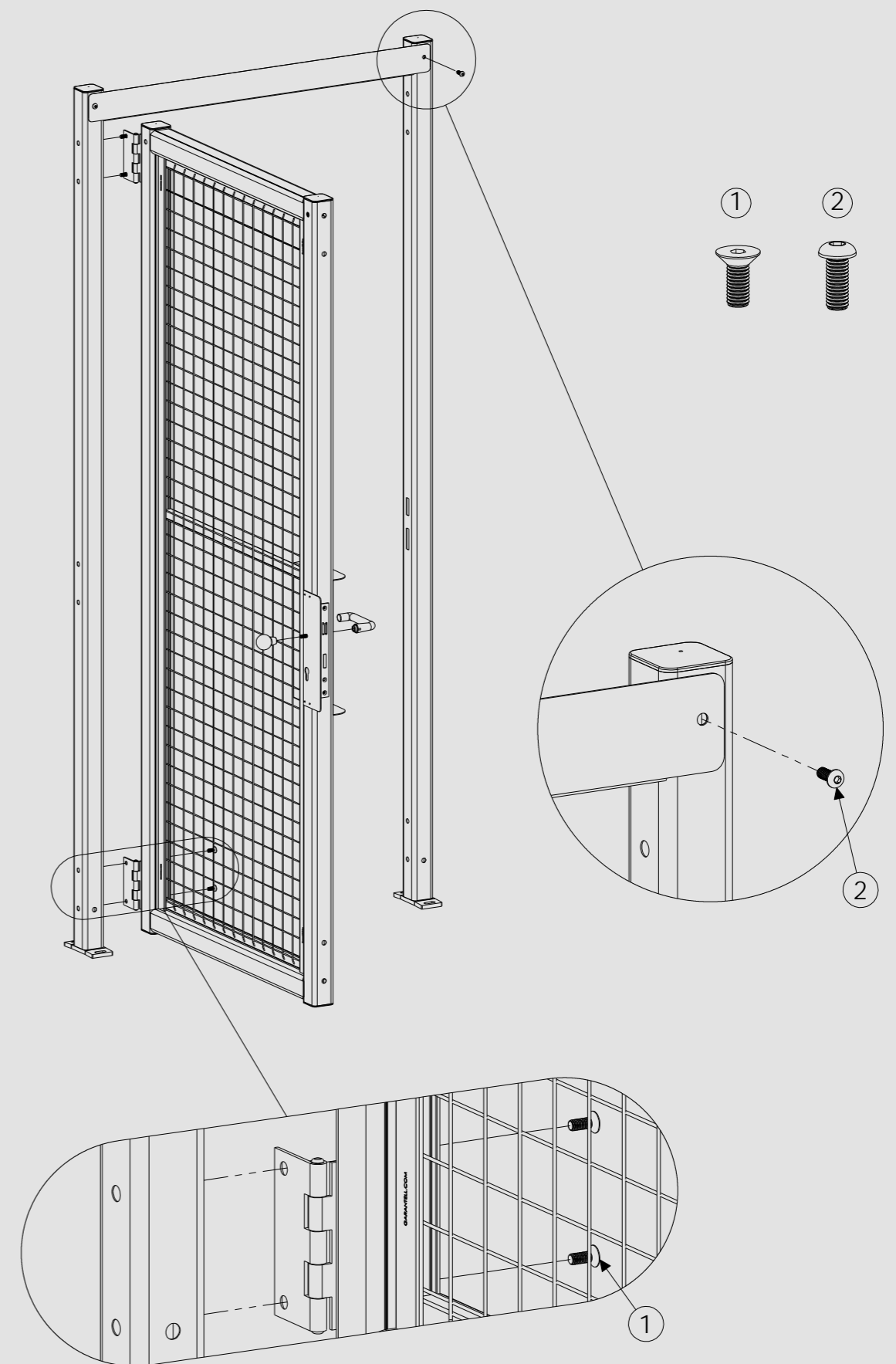
# DOUBLE HINGED DOOR, EURO CYLINDER LOCK

712-003-004



# SINGLE HINGED DOOR, EURO CYLINDER LOCK WITH PANIC FUNCTION

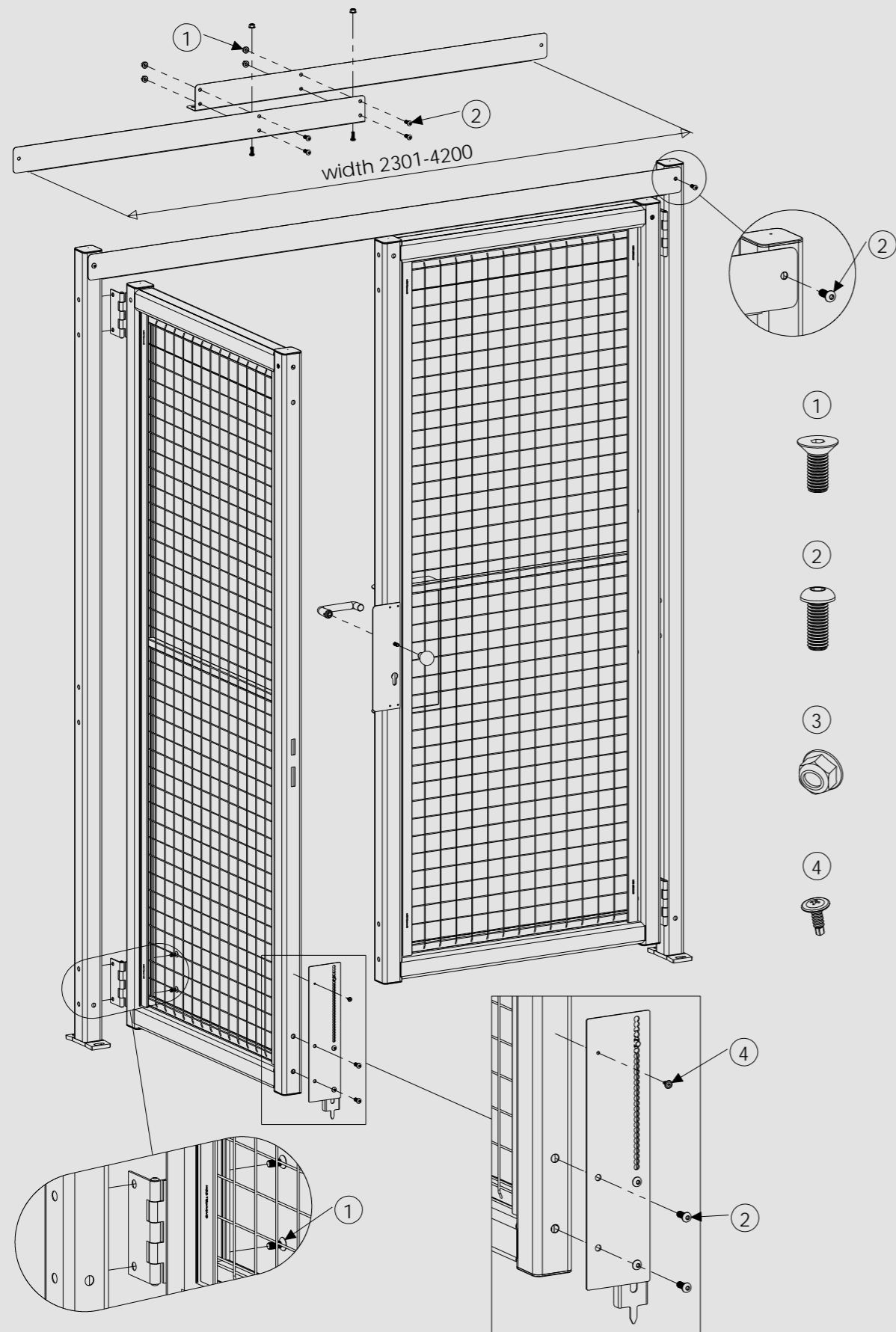
712-003-005





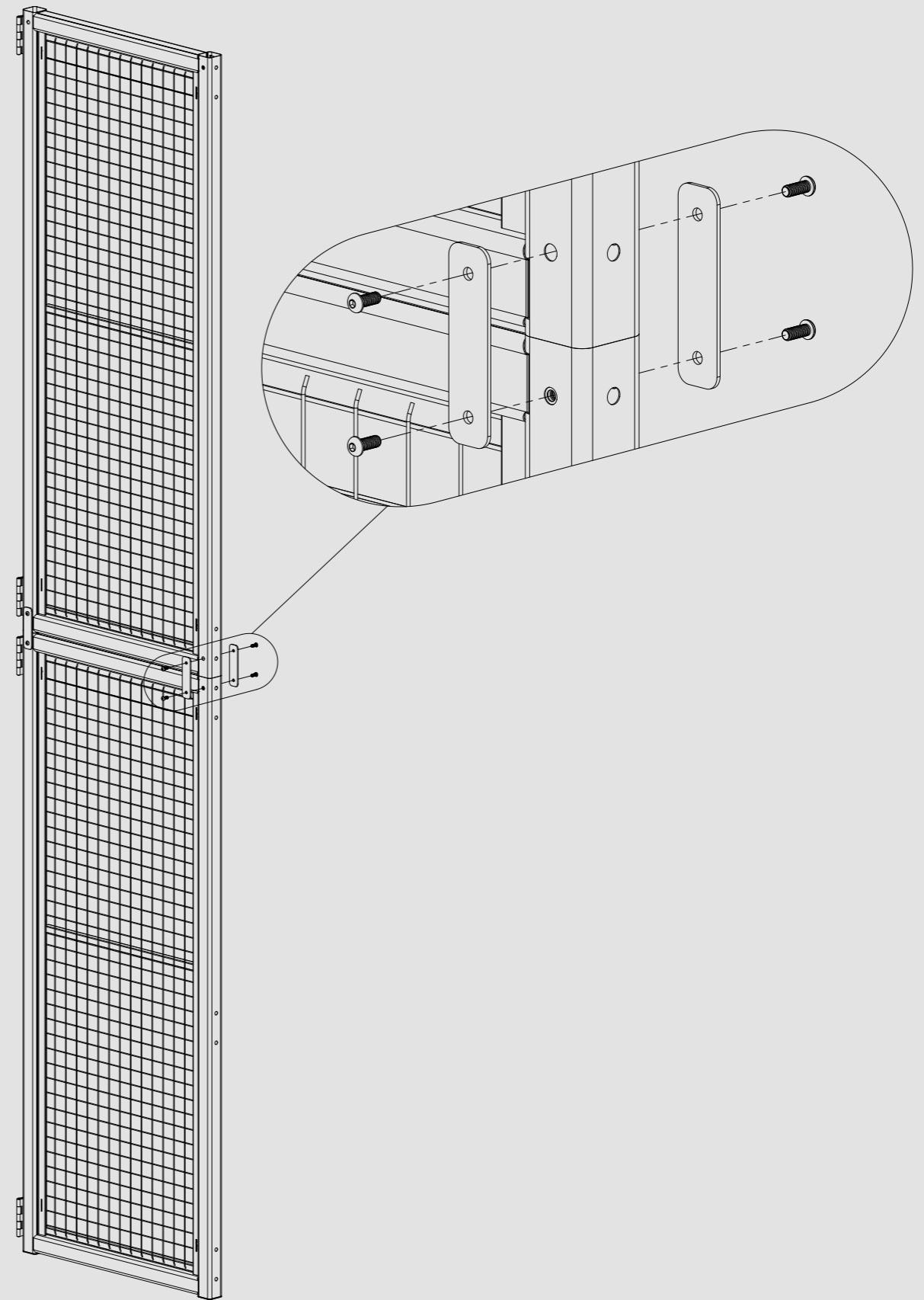
# DOUBLE HINGED DOOR, EURO CYLINDER LOCK WITH PANIC FUNCTION

712-003-006



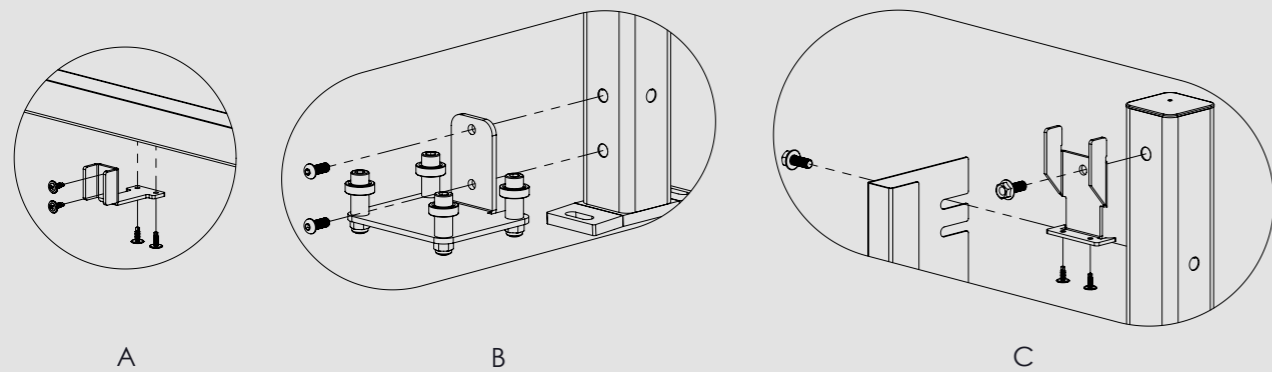
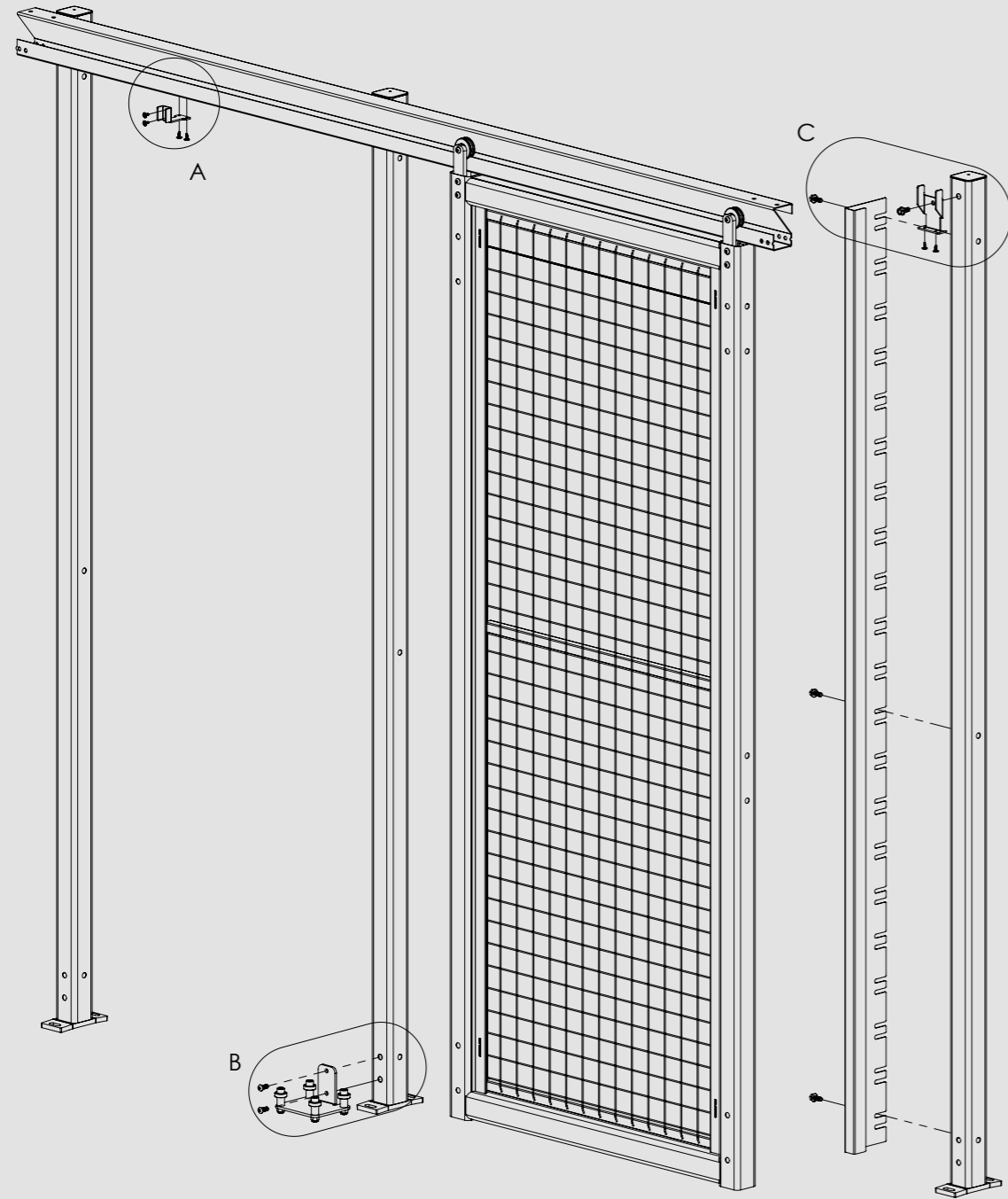
# HINGED DOOR, HEIGHT EXTENSION

712-003-020



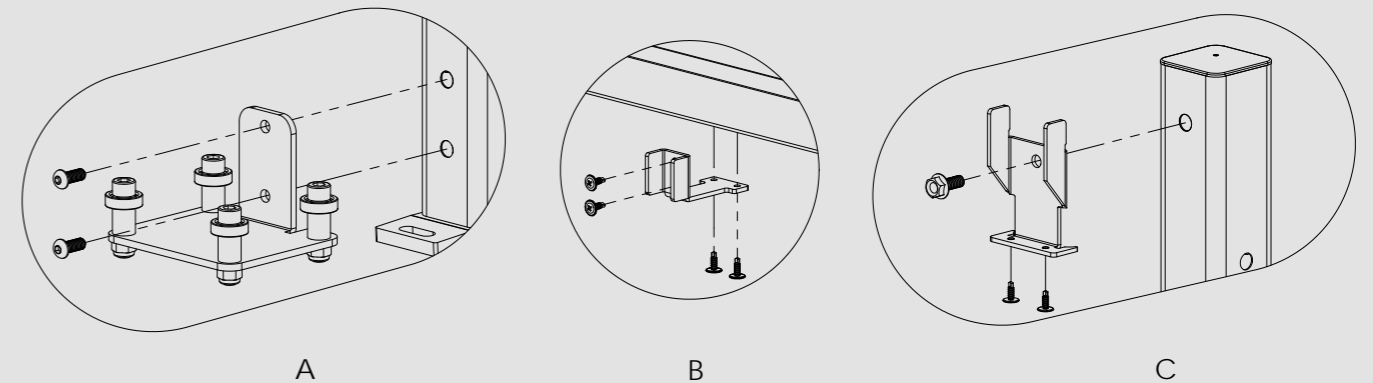
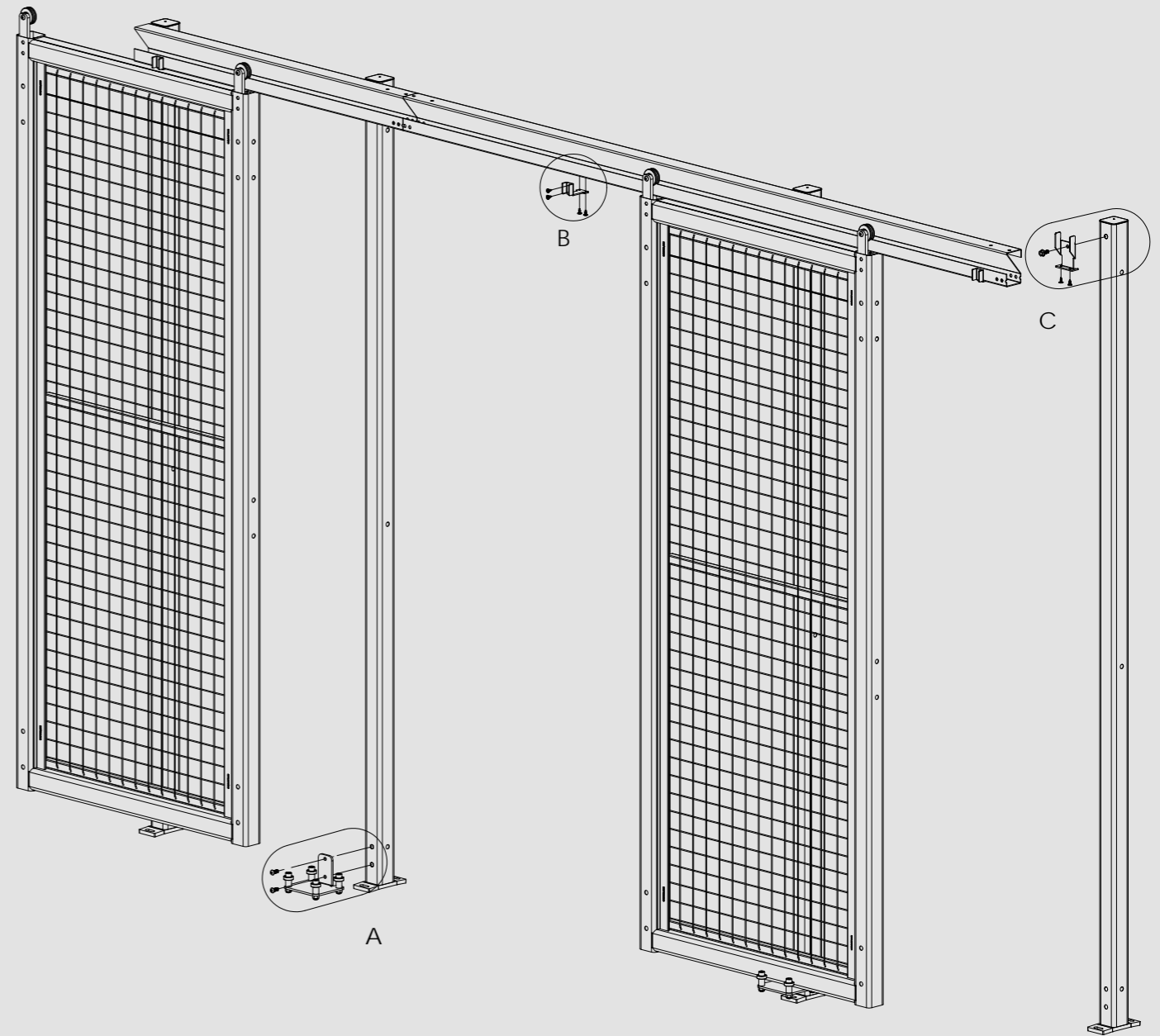
# SINGLE TOP RAIL DOOR

713-003-001



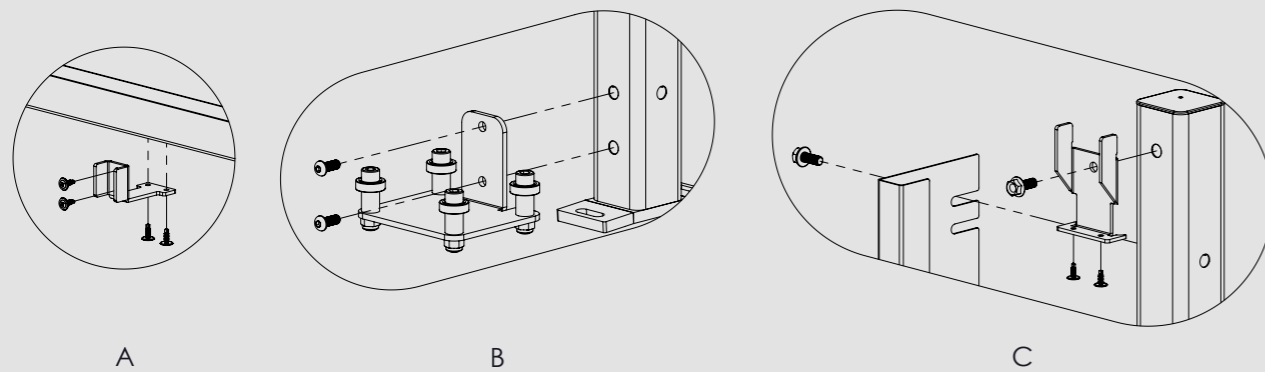
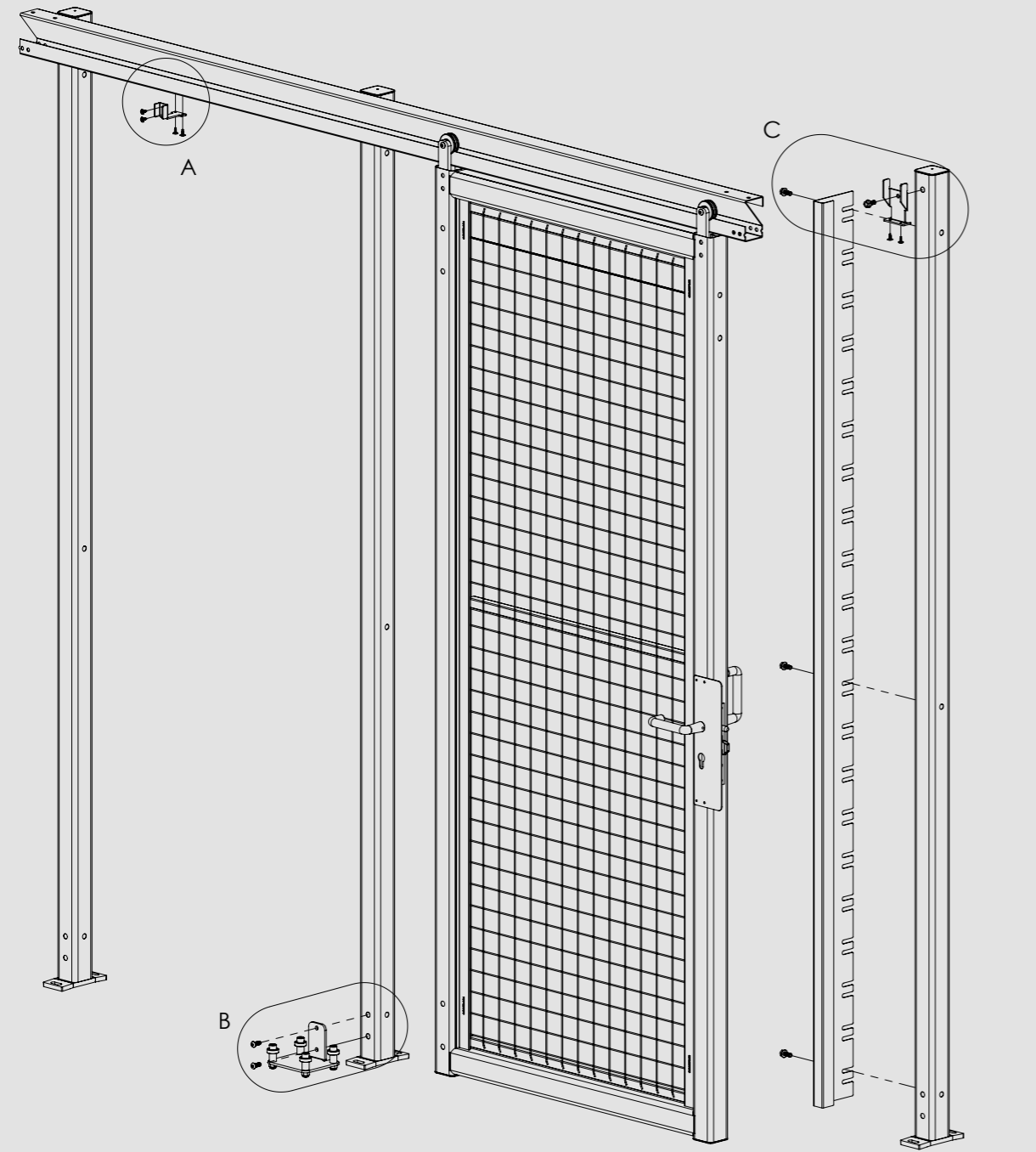
# DOUBLE TOP RAIL DOOR

713-003-002



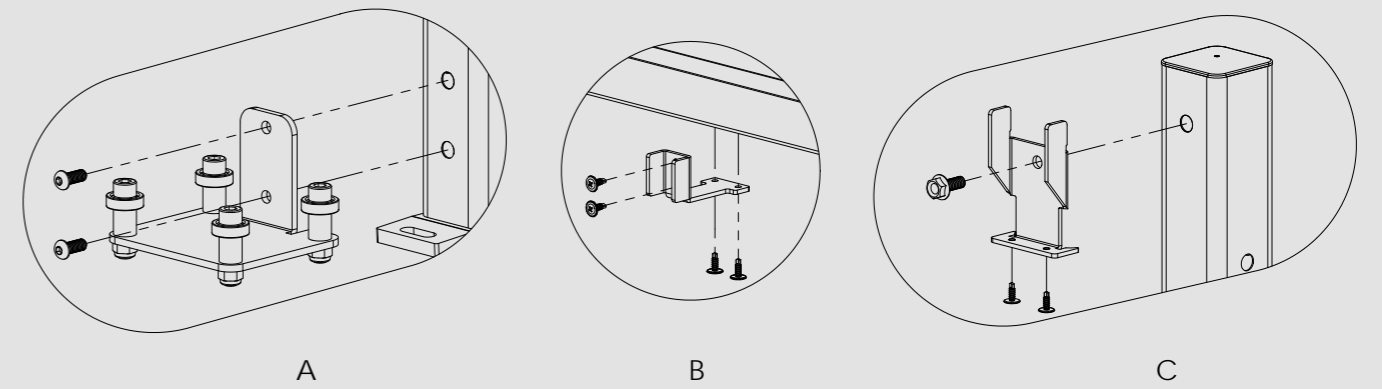
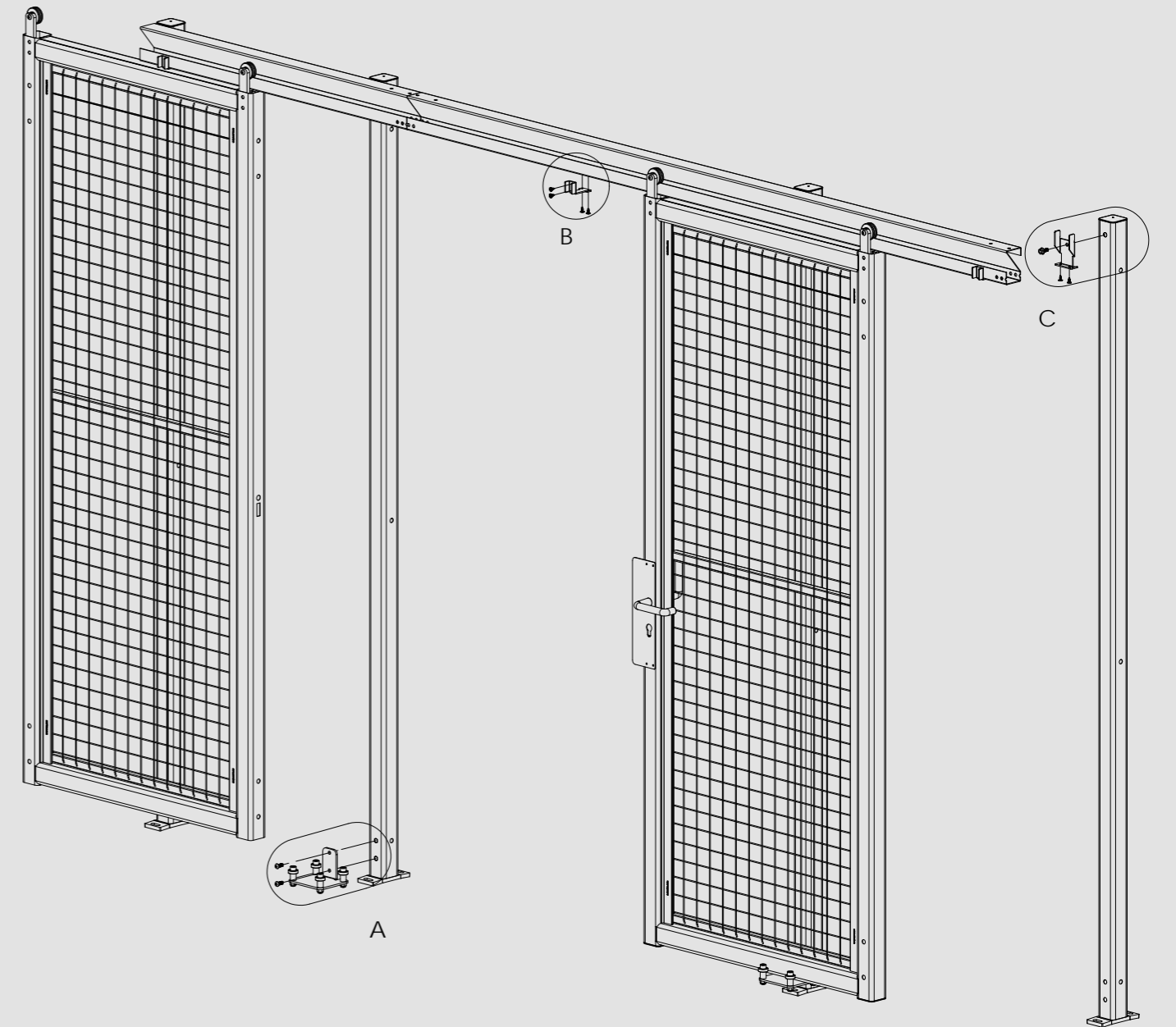
# SINGLE TOP RAIL DOOR, EURO CYLINDER LOCK

713-003-003



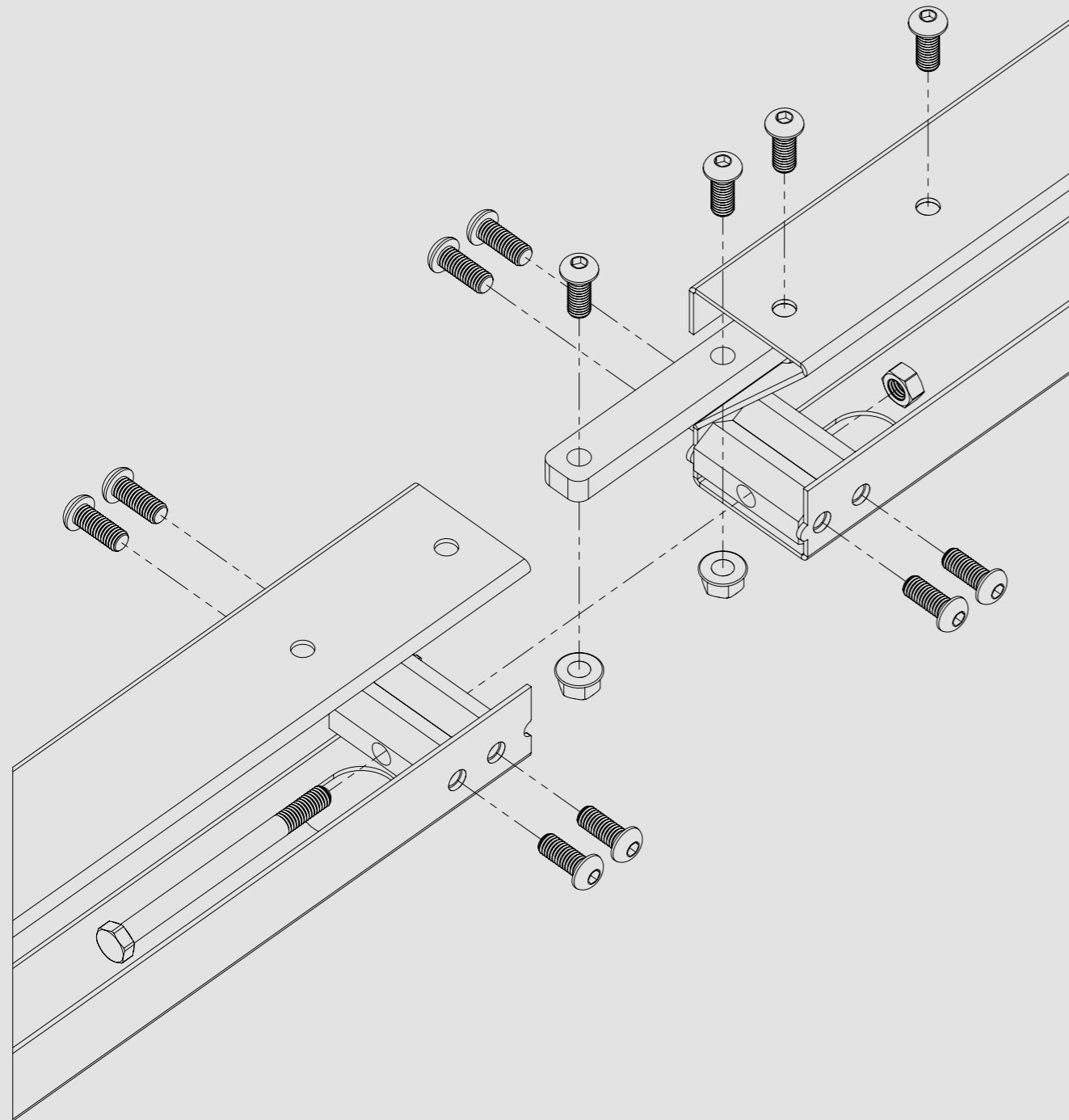
# DOUBLE TOP RAIL DOOR, EURO CYLINDER LOCK

713-003-004



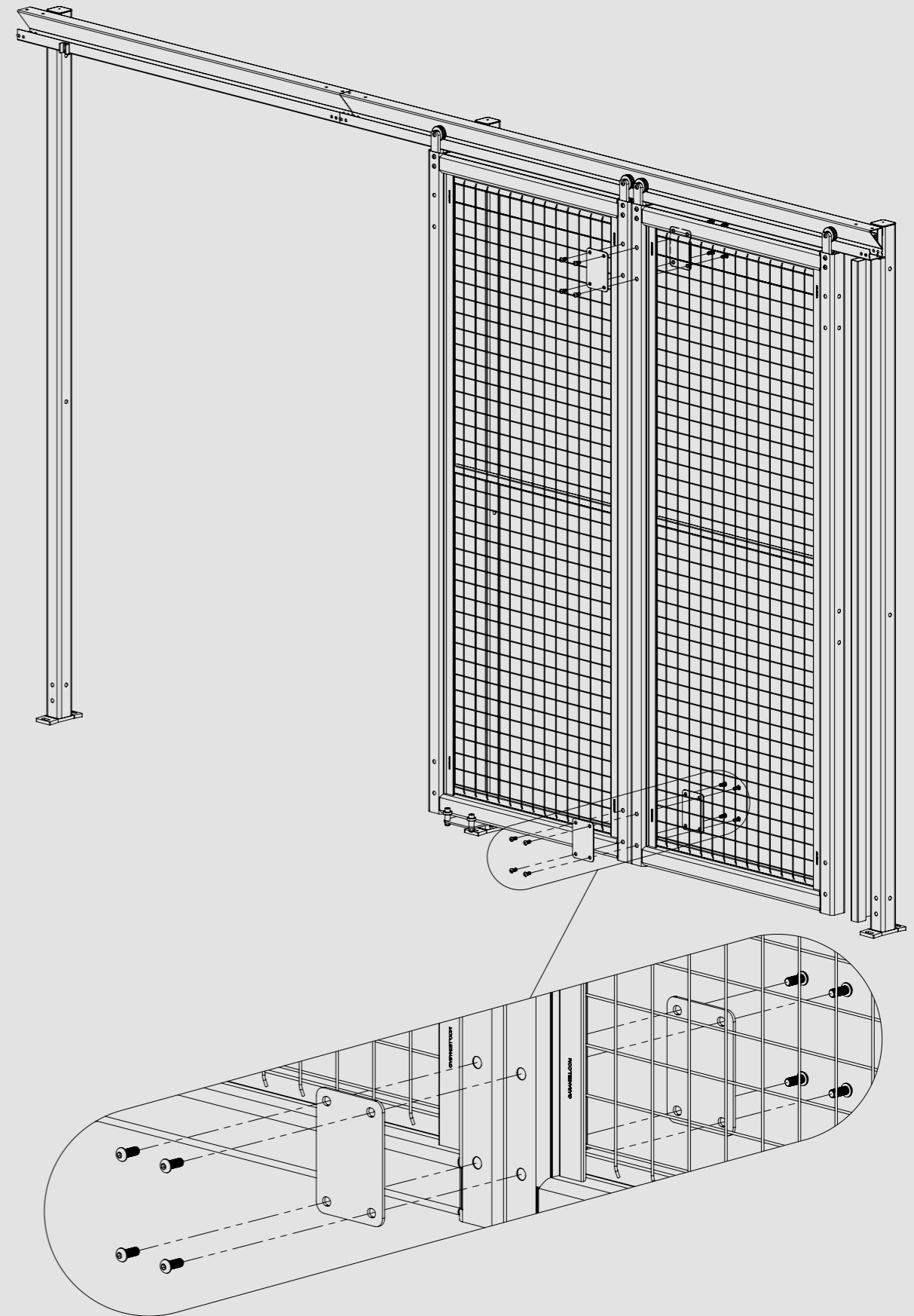
## EXTENSIONS Z-PROFILES

713-003-006



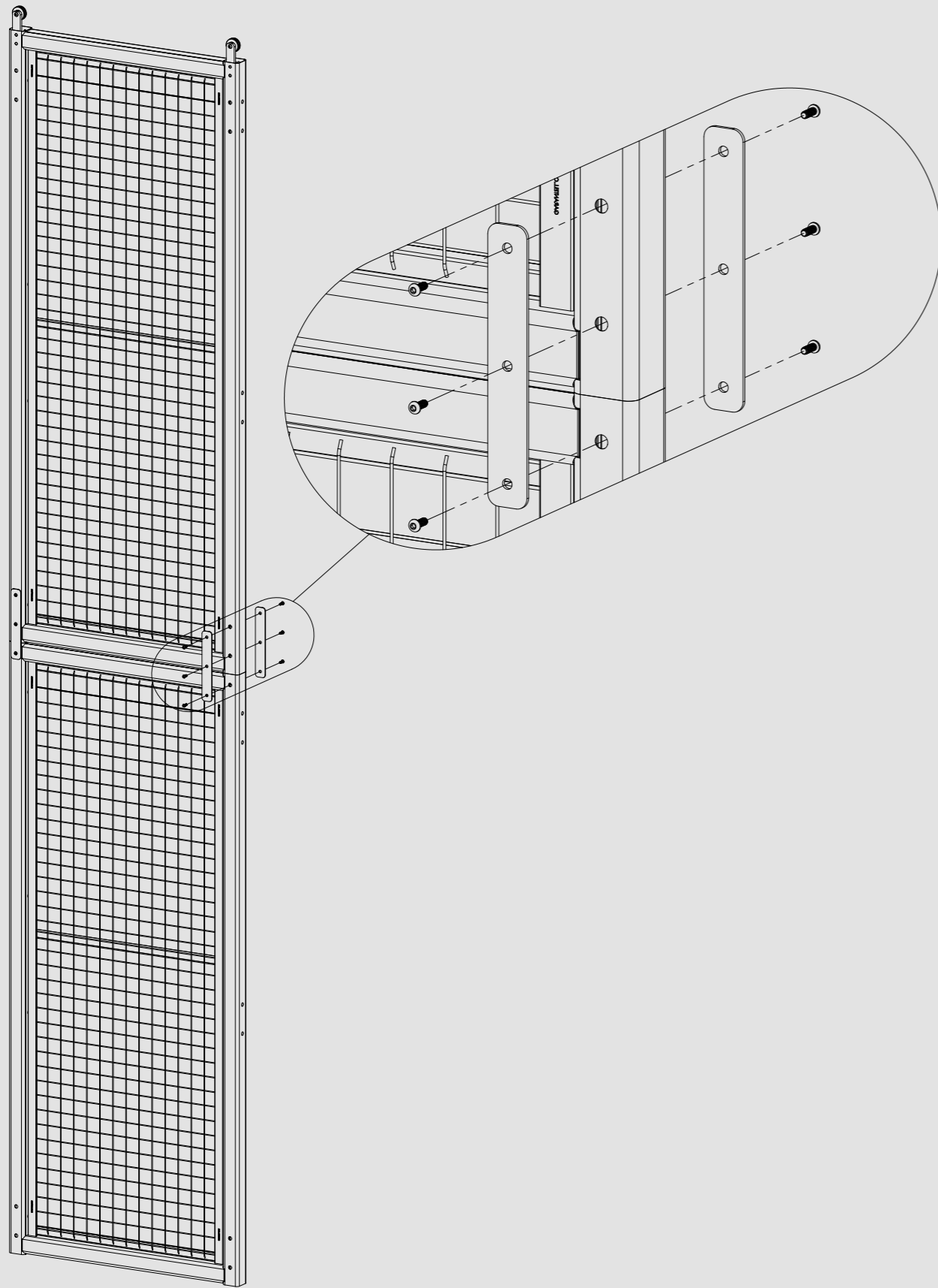
## TOP RAIL DOOR WIDTH EXTENSION

713-003-005



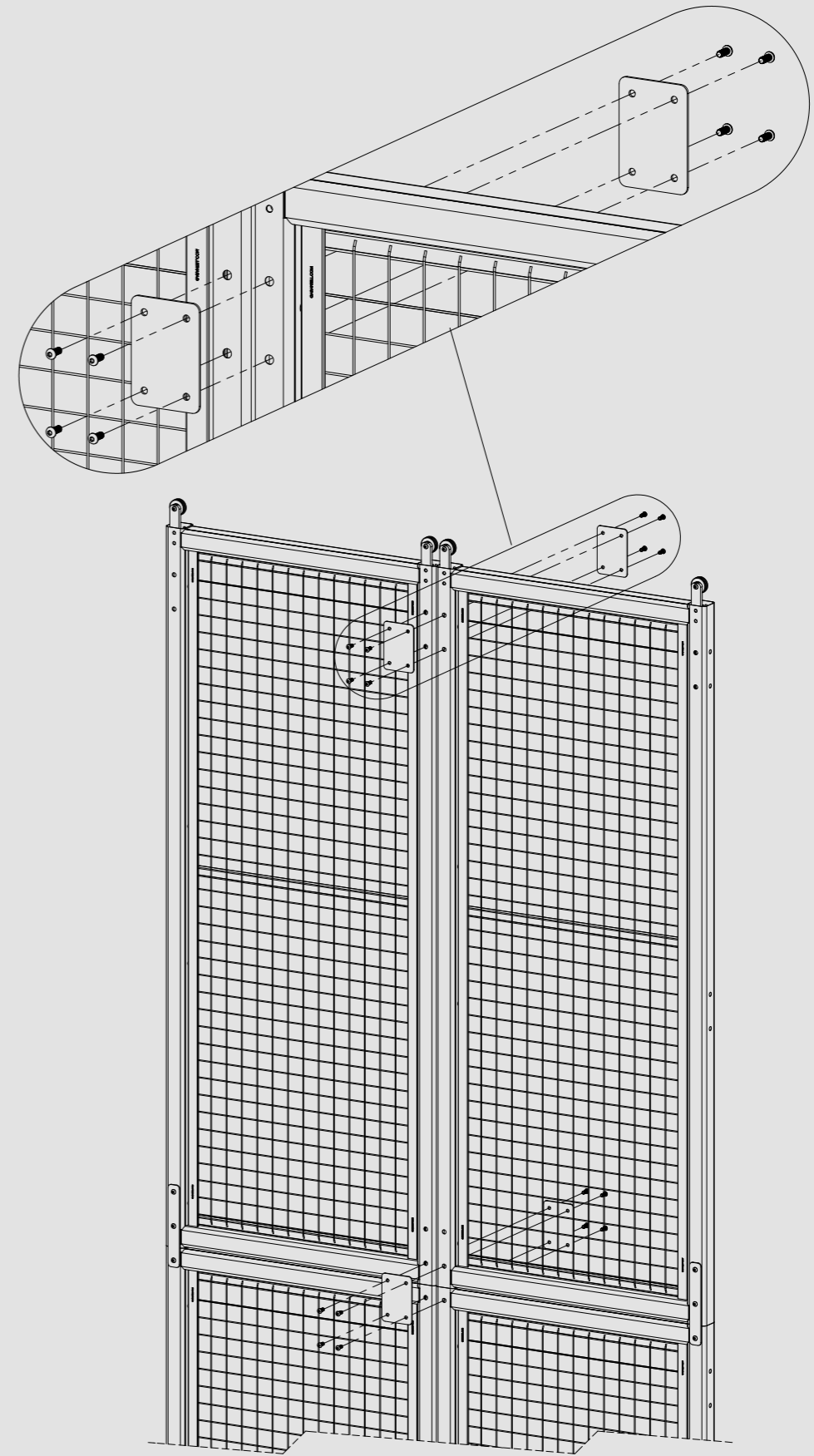
# TOP RAIL DOOR, HEIGHT EXTENSION

713-003-008



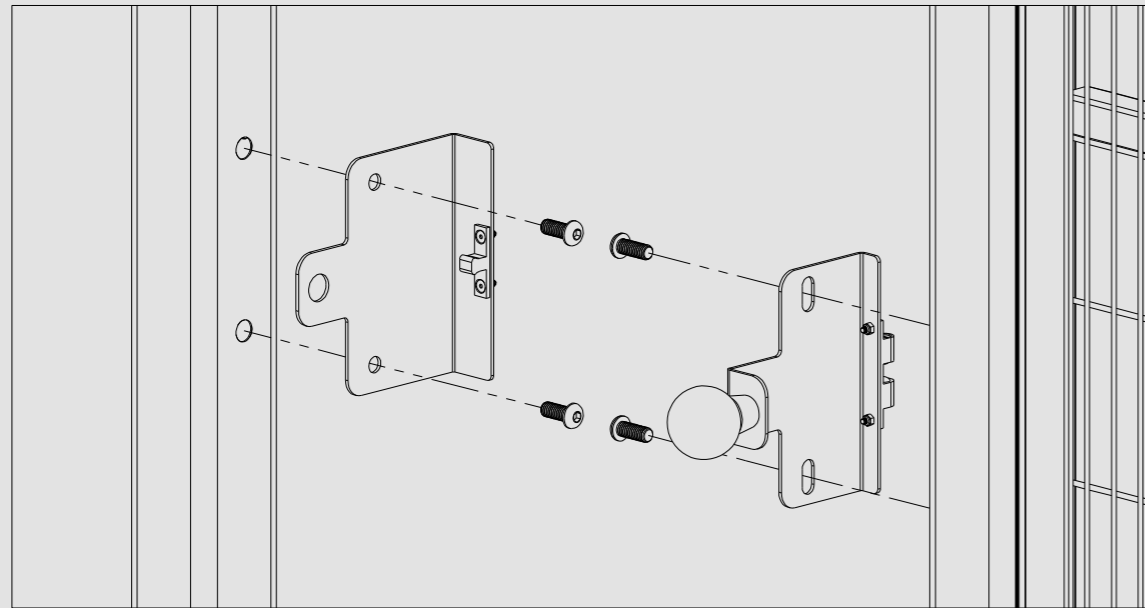
# TOP RAIL DOOR WIDTH EXTENSION ON HEIGHT EXTENSION

713-003-009



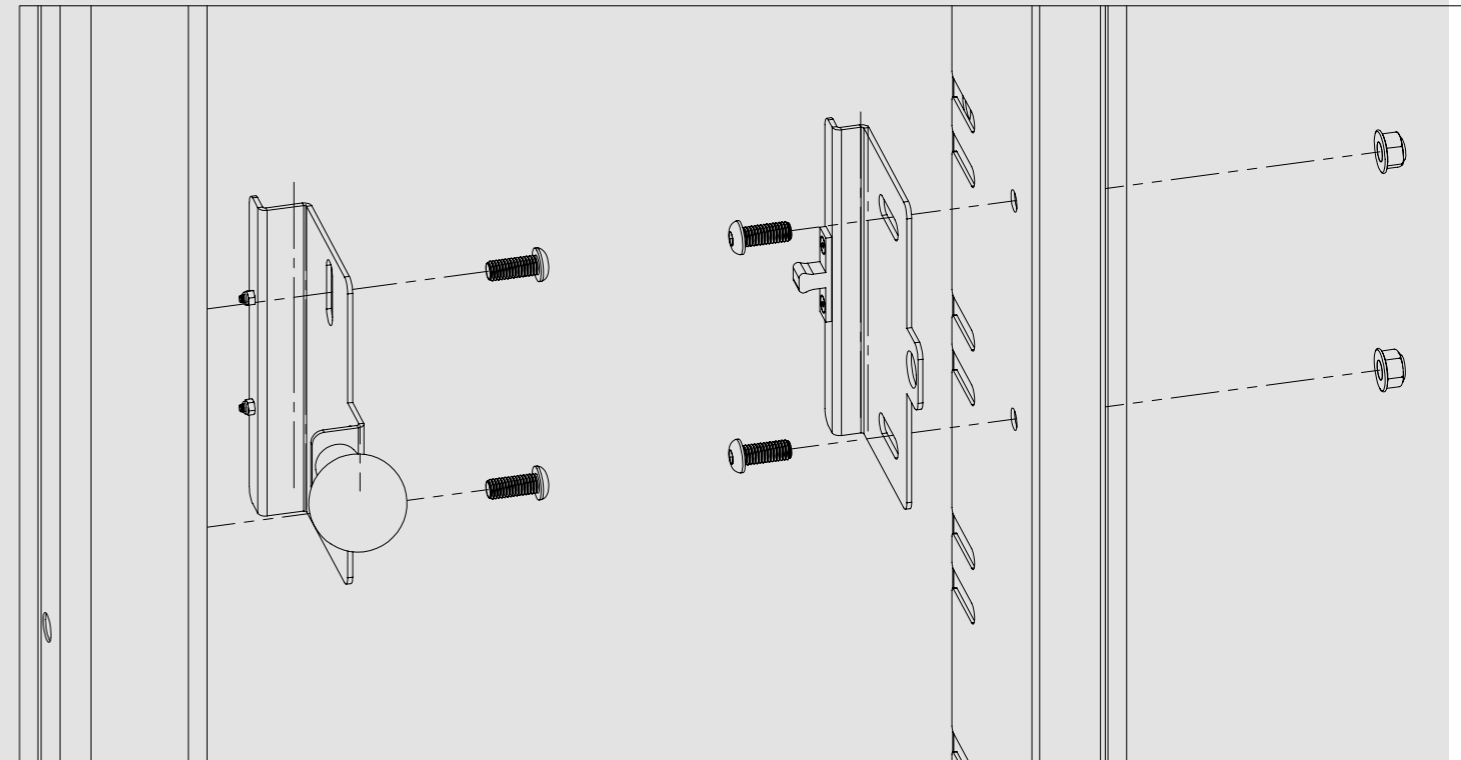
## PADLOCK PLATES, HINGED DOOR

711-003-001



## PADLOCK PLATES, SLIDING DOOR

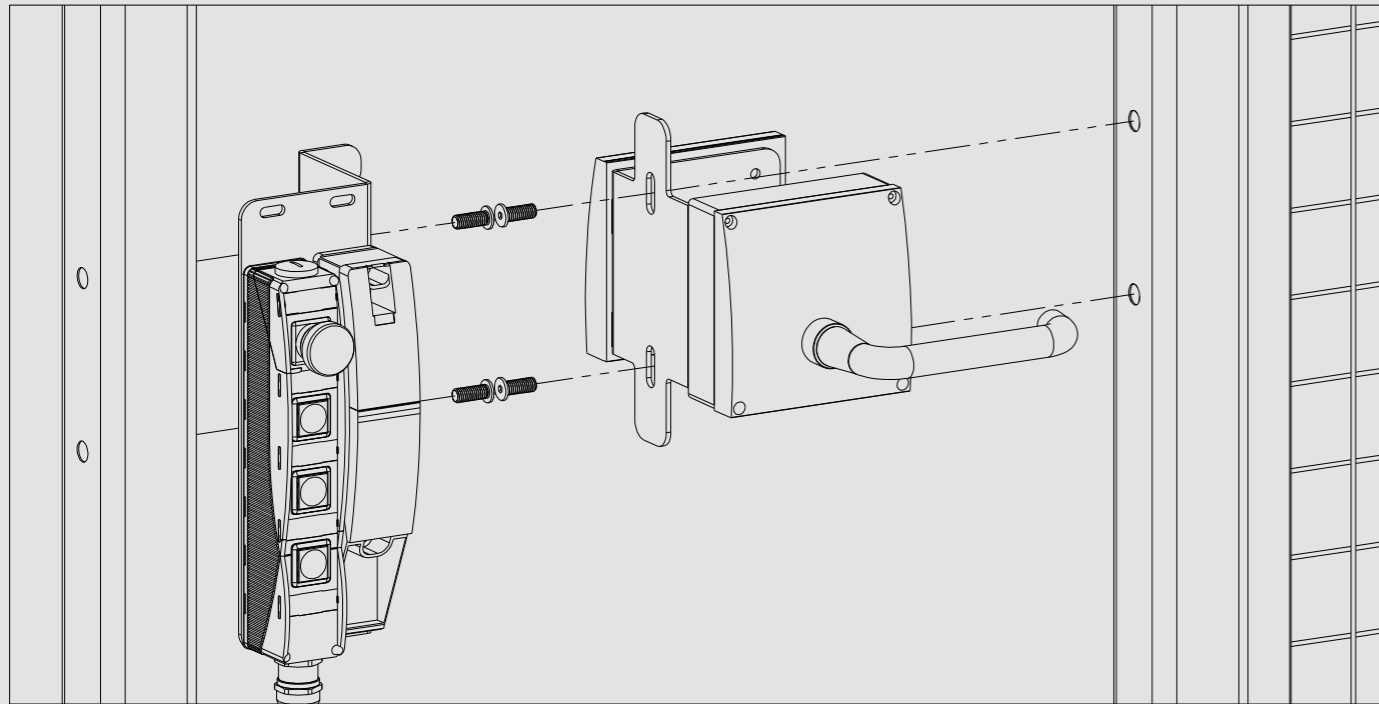
711-003-002





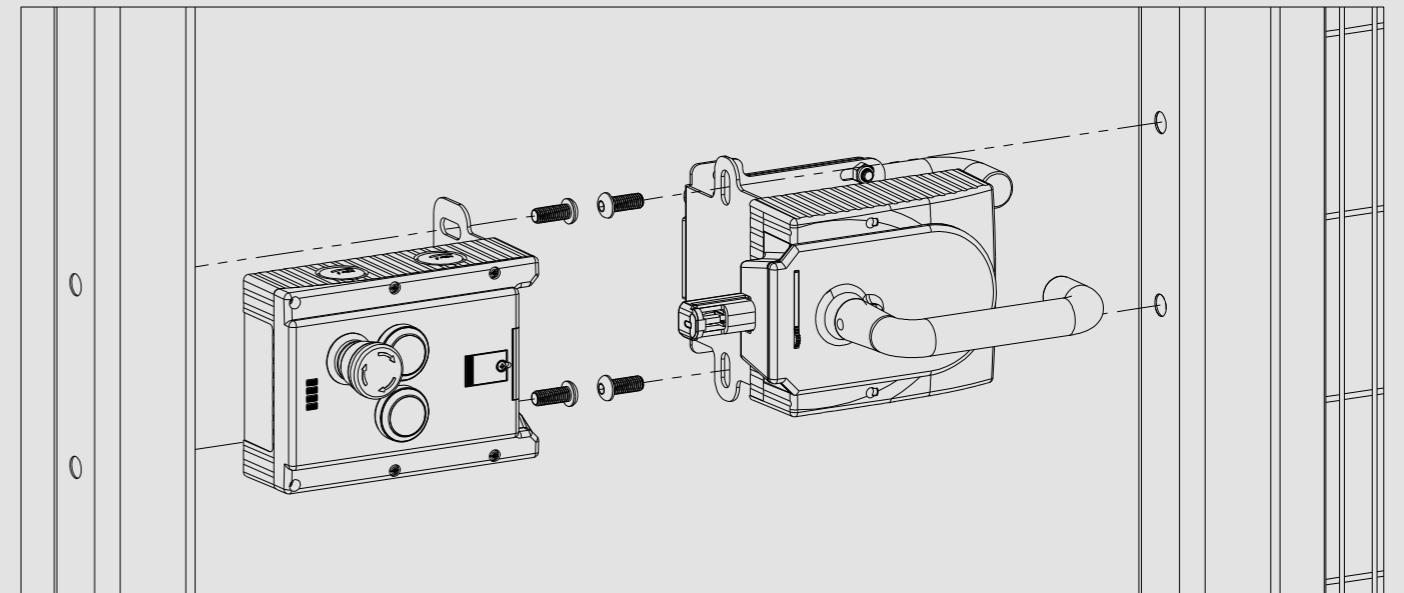
## FITTINGS FOR SCHMERSAL AZM 201

711-003-003



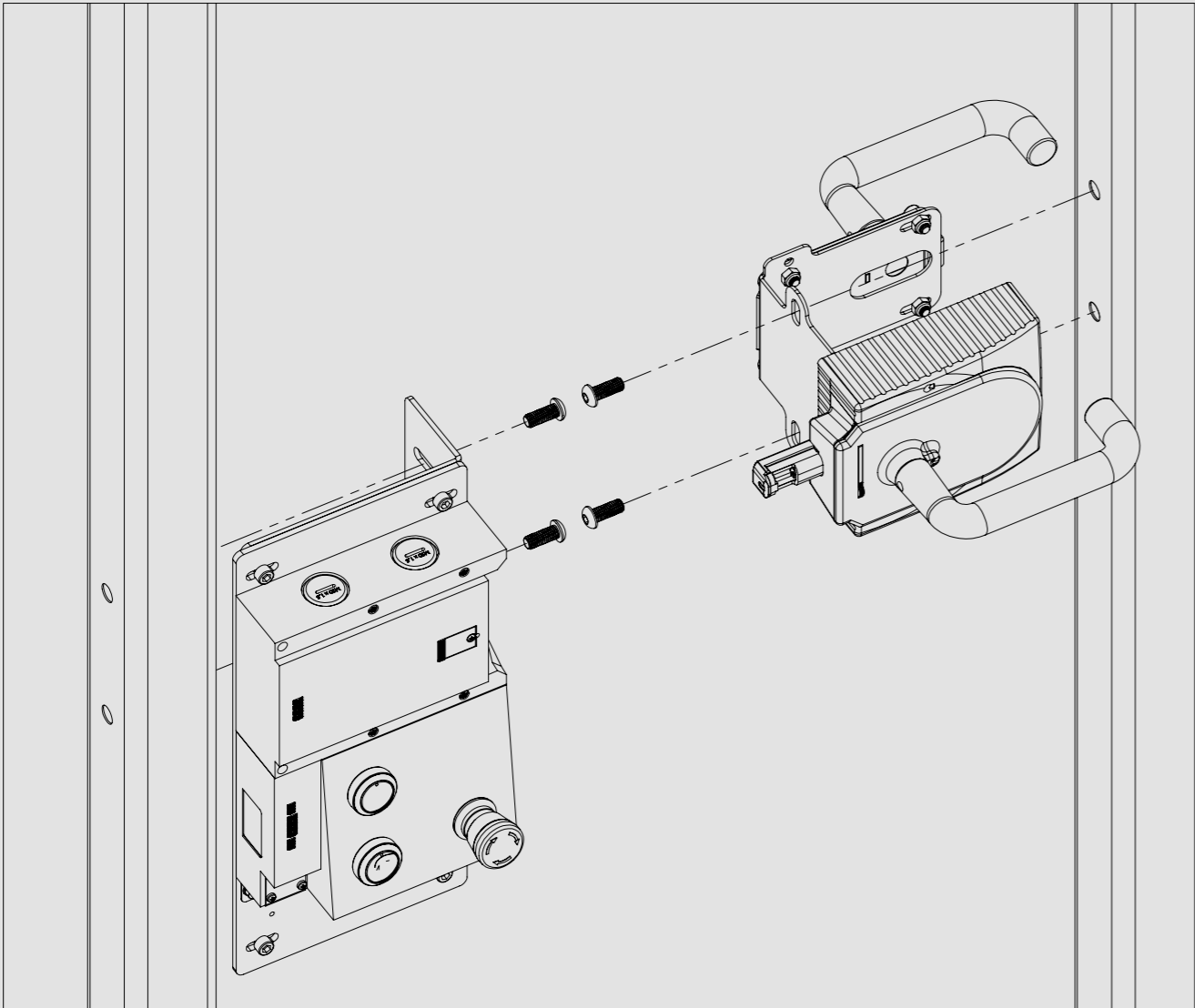
## FITTINGS FOR EUCHNER MGB

711-003-004



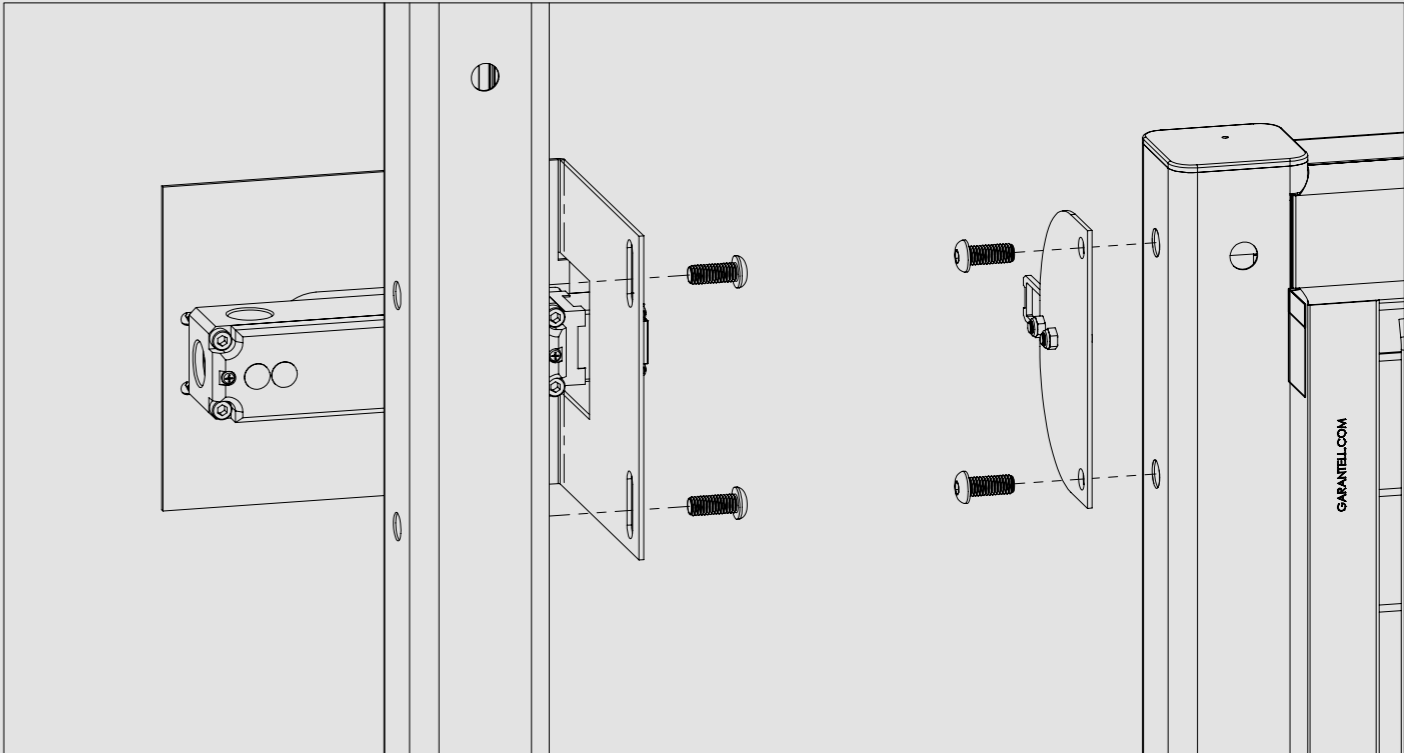
# FITTINGS FOR EUCHNER MGB-L1HB

711-003-014



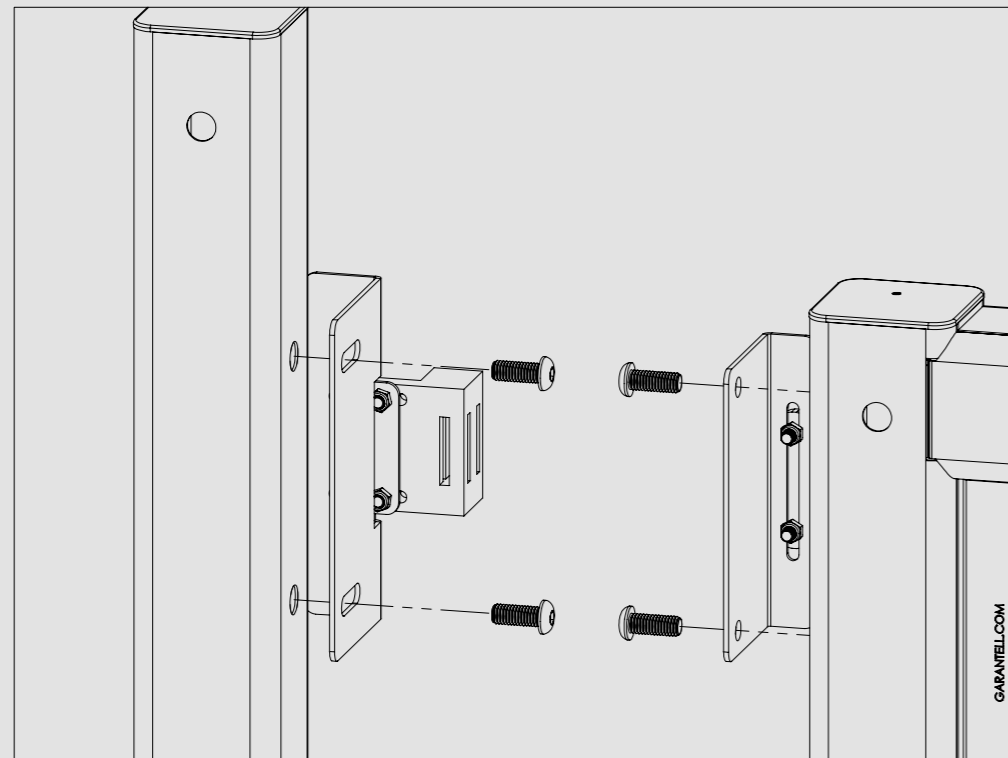
# FITTINGS FOR EUCHNER STA3, HINGED DOOR

711-003-005



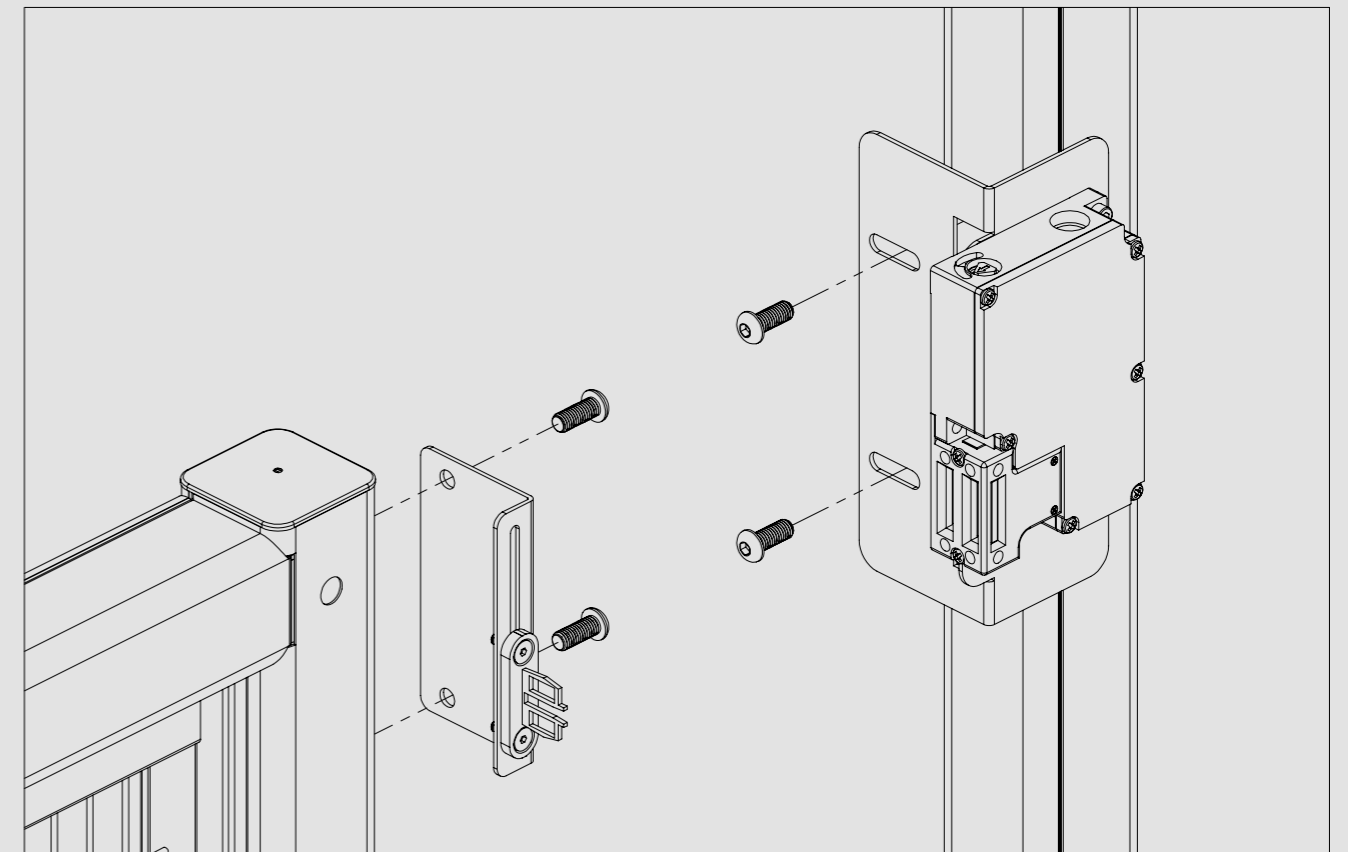
## FITTINGS FOR SCHMERSAL AZ16

711-003-006



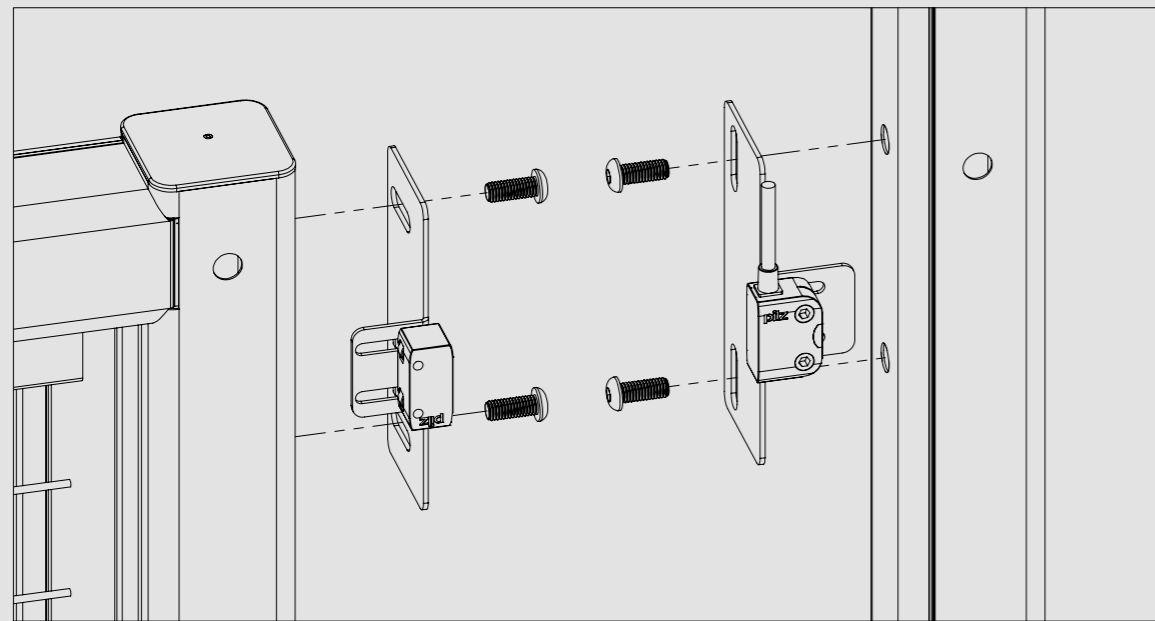
## FITTINGS FOR SCHMERSAL AZM 161

711-003-007



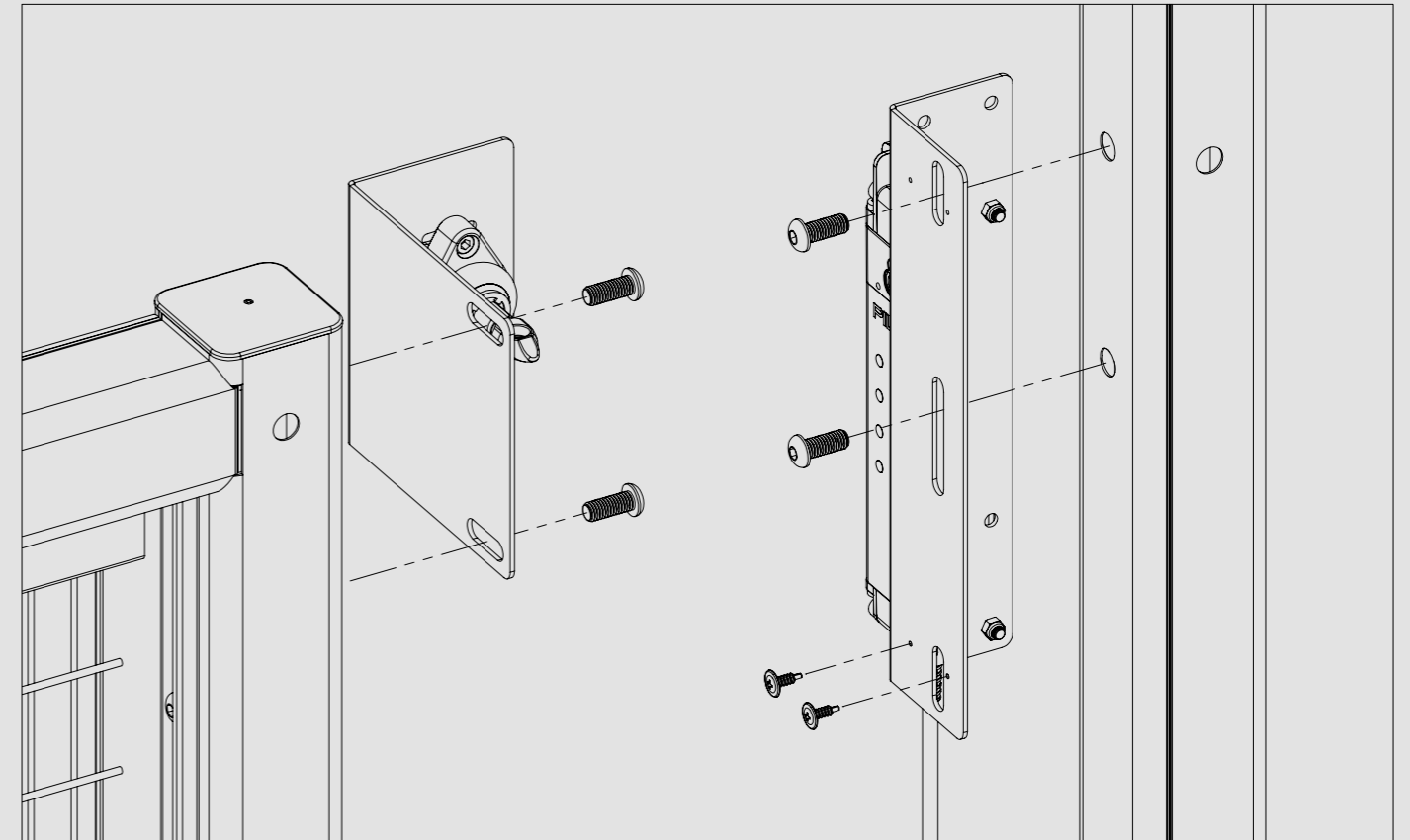
## FITTINGS FOR PILZ PSEN MAG

711-003-008



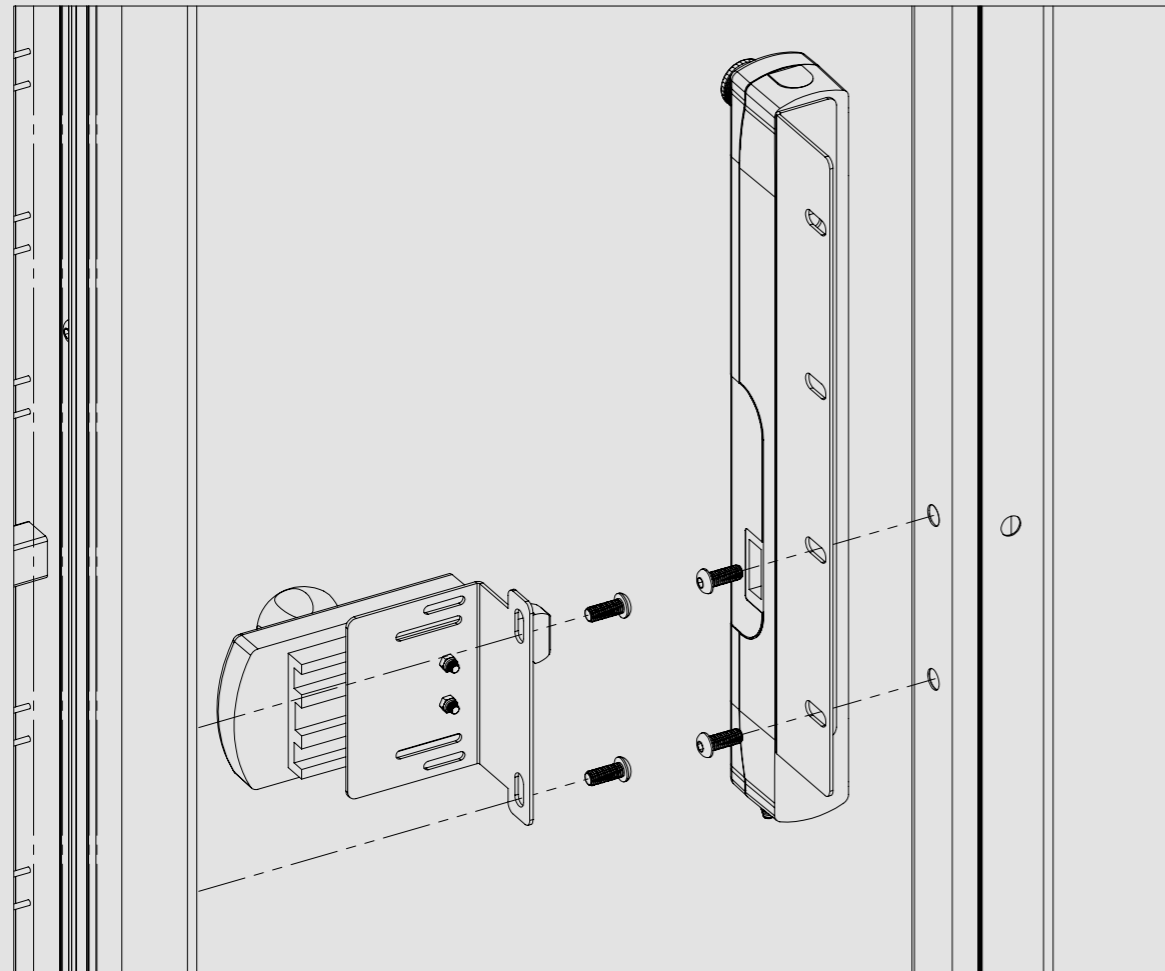
## FITTINGS FOR PILZ PSEN M LOCK

711-003-009



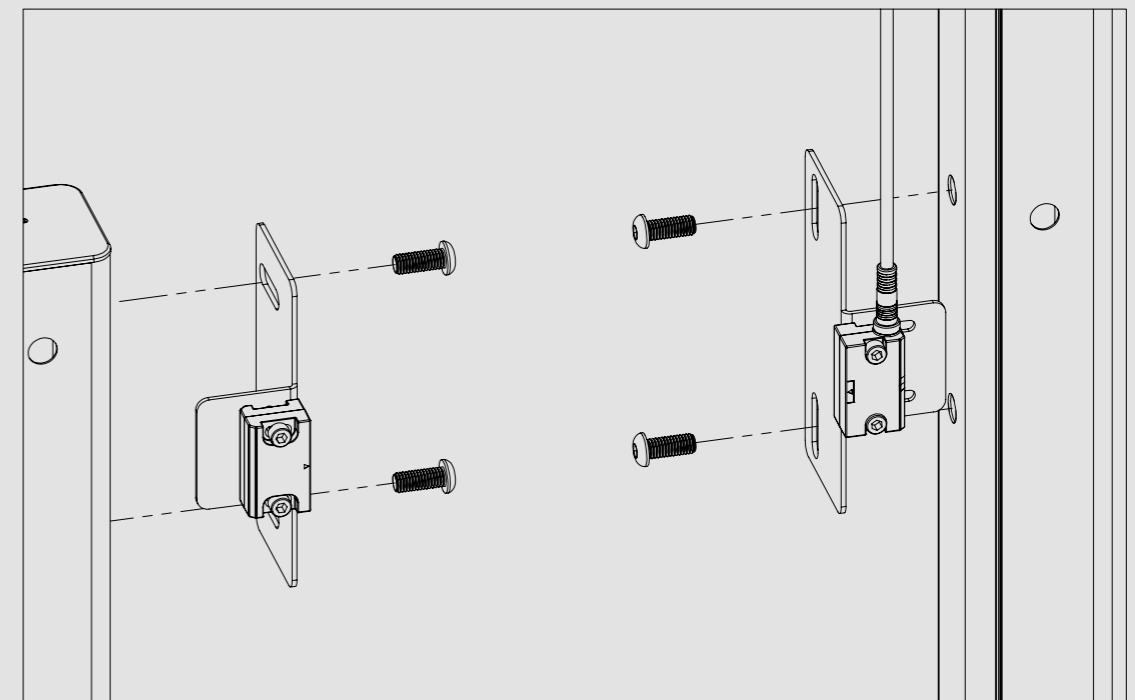
## FITTINGS FOR PILZ PSEN SGATE

711-003-011



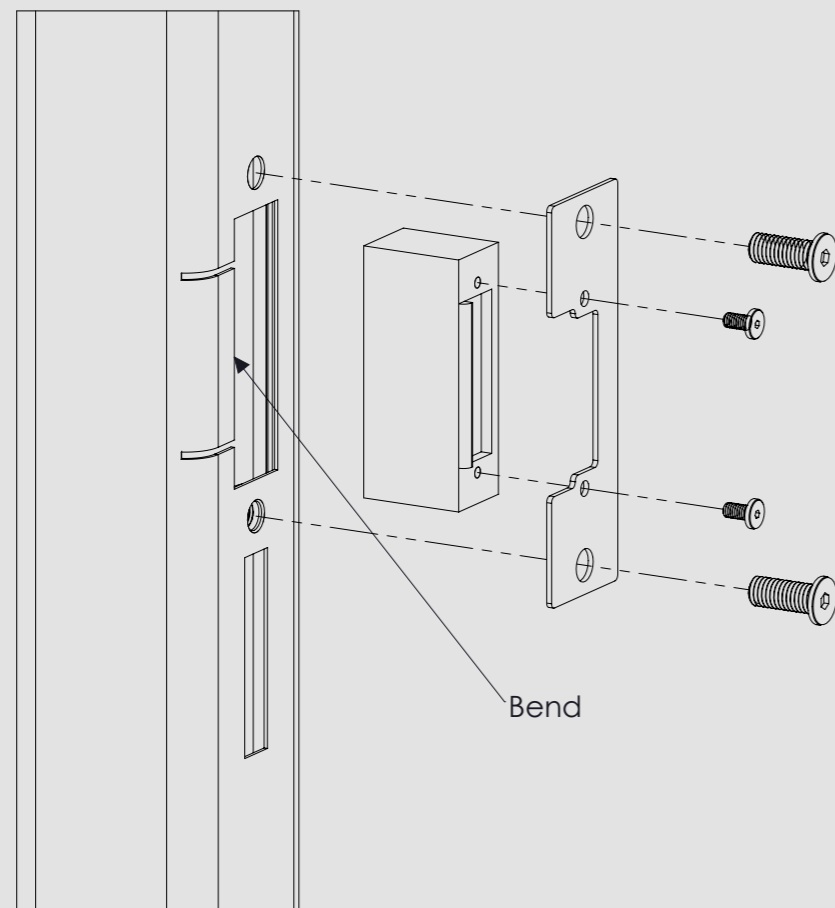
## FITTINGS FOR EUCHNER CES-I-AP-M-C04

711-003-012



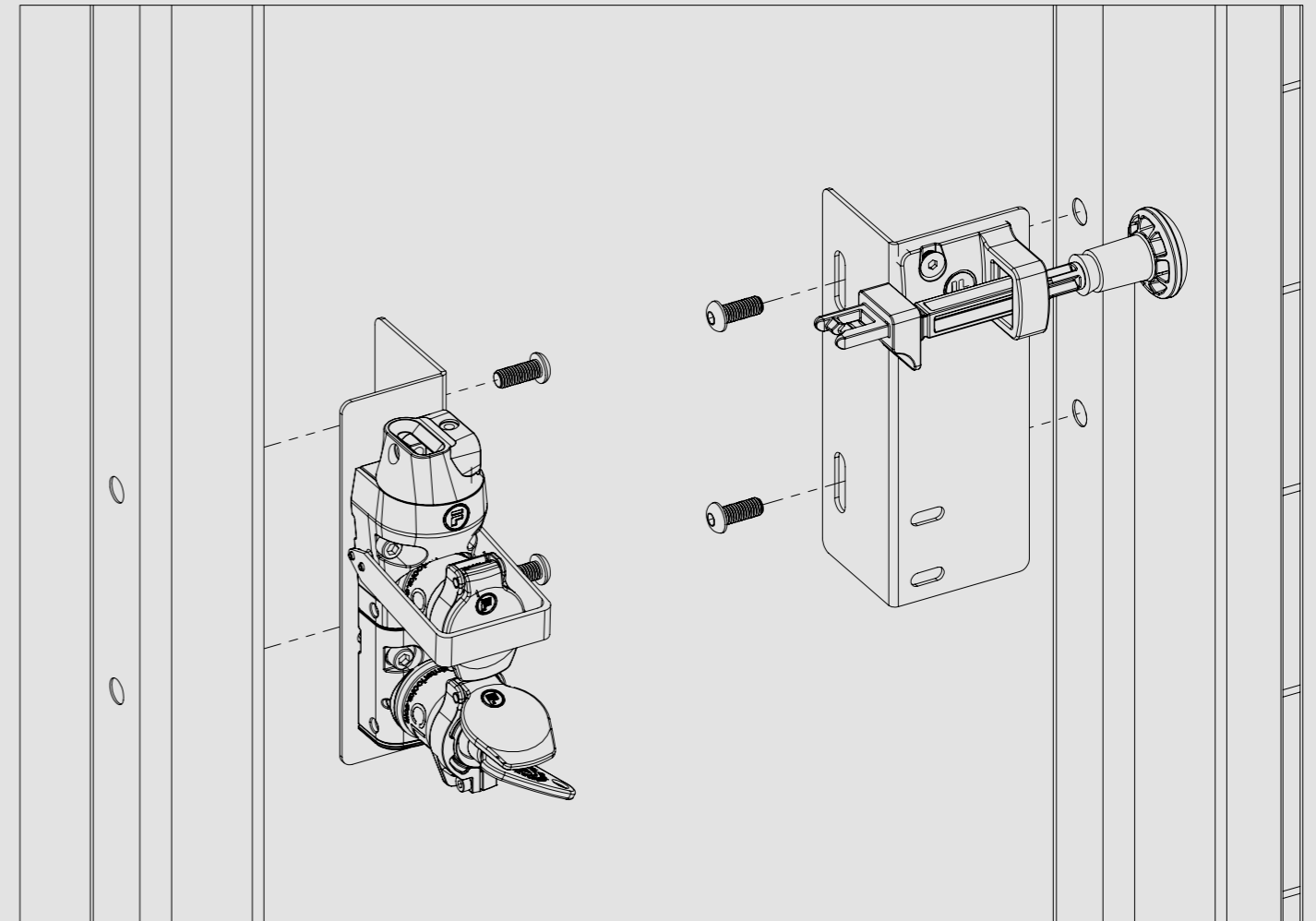
# ELECTRIC STRIKE HINGED DOOR, EURO CYLINDER LOCK

711-003-013



# FITTINGS FOR FORTRESS DMS2E

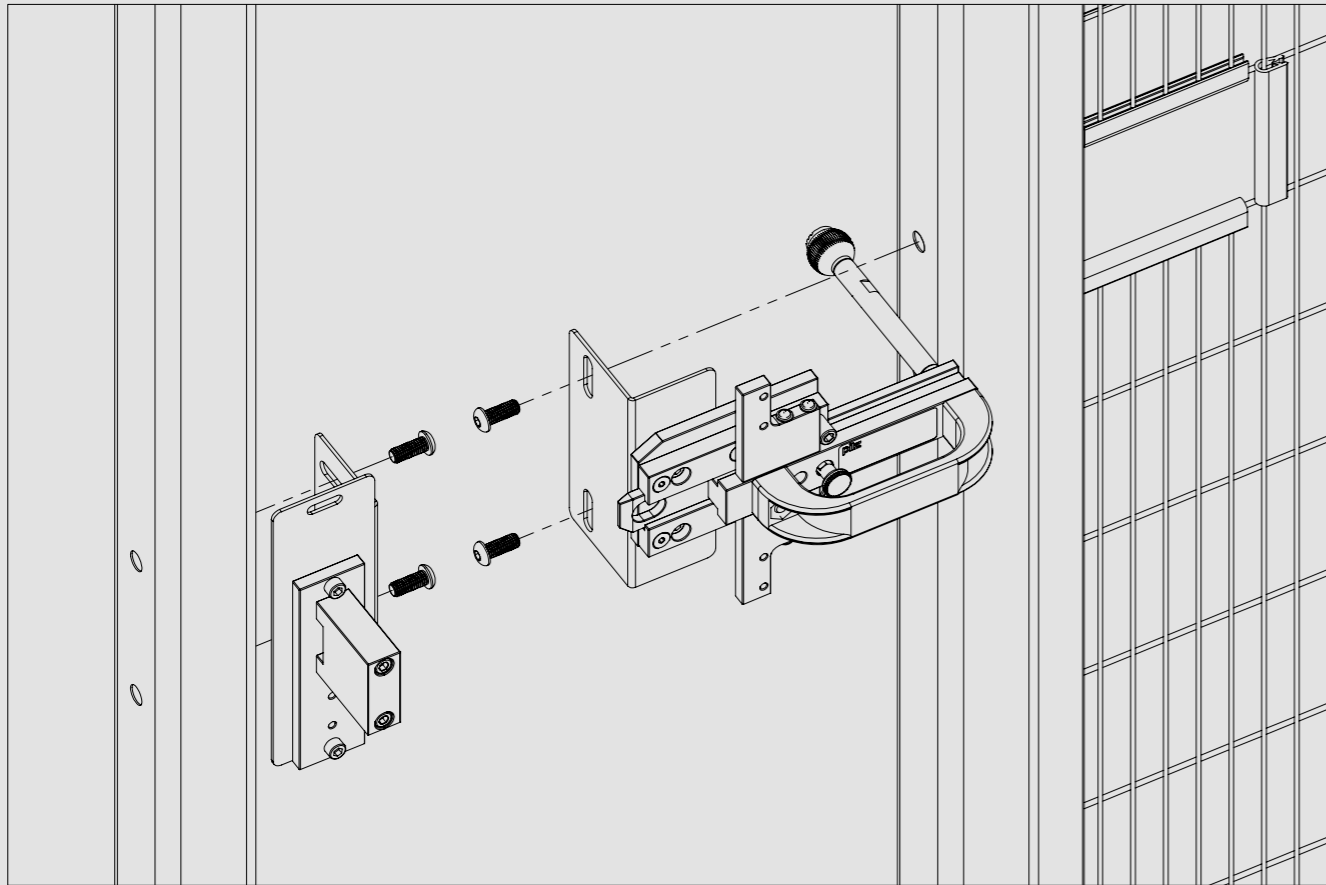
711-003-015





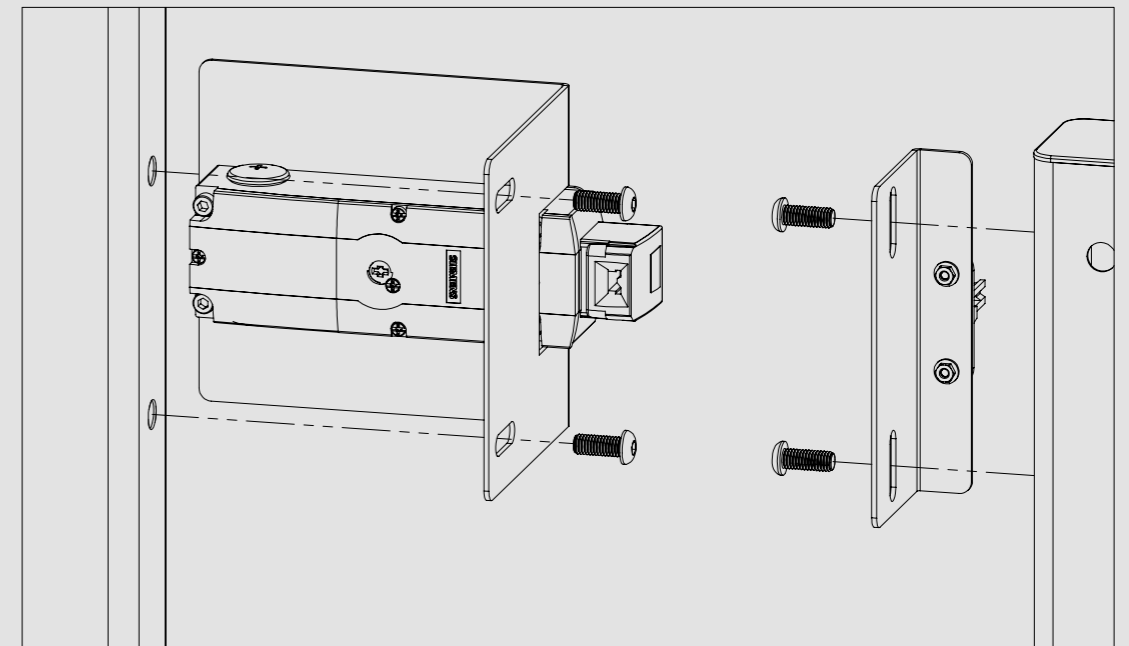
## FITTINGS FOR PSEN BOLT-B4,1

711-003-016



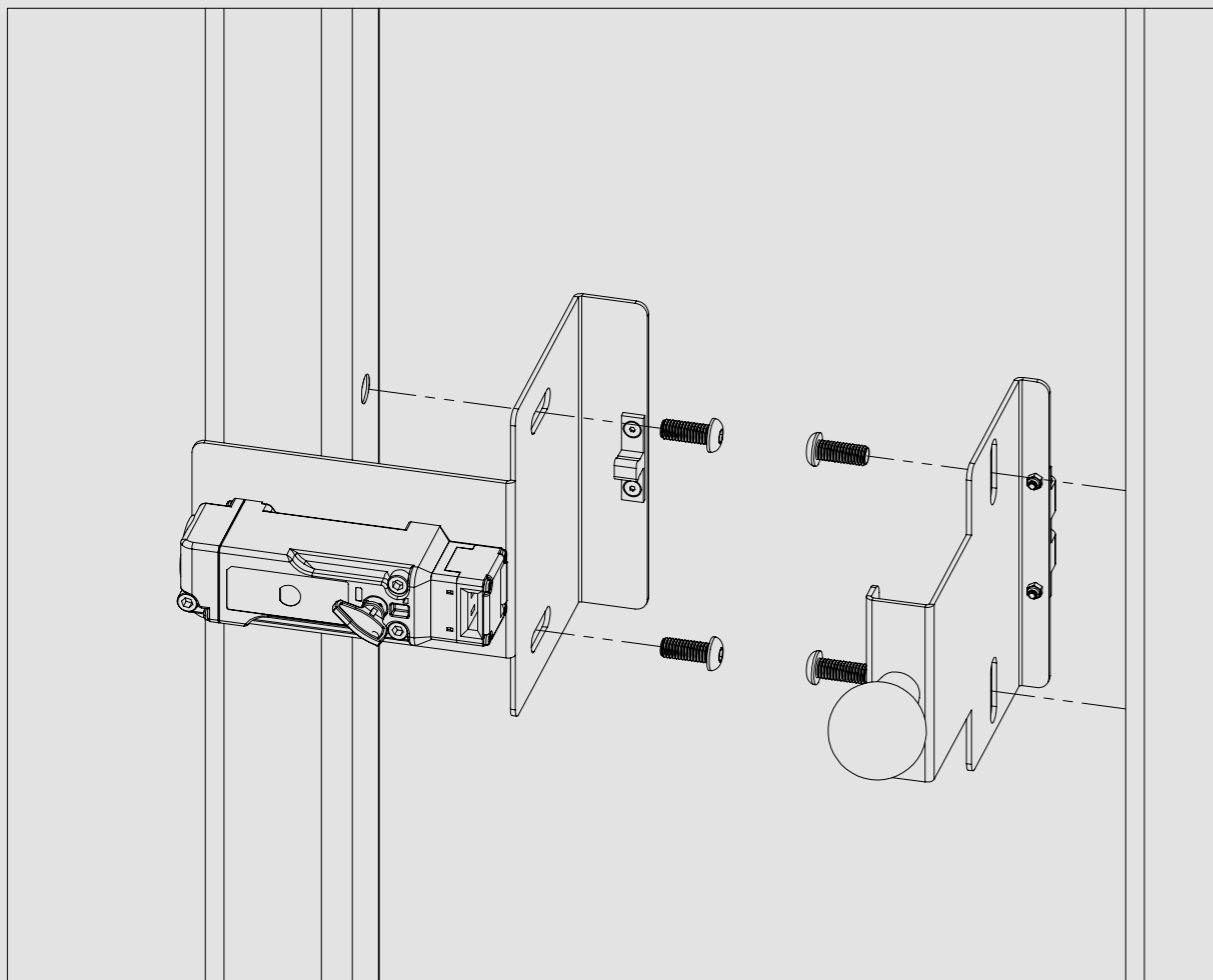
## FITTINGS FOR SIEMENS OSG11

711-003-017



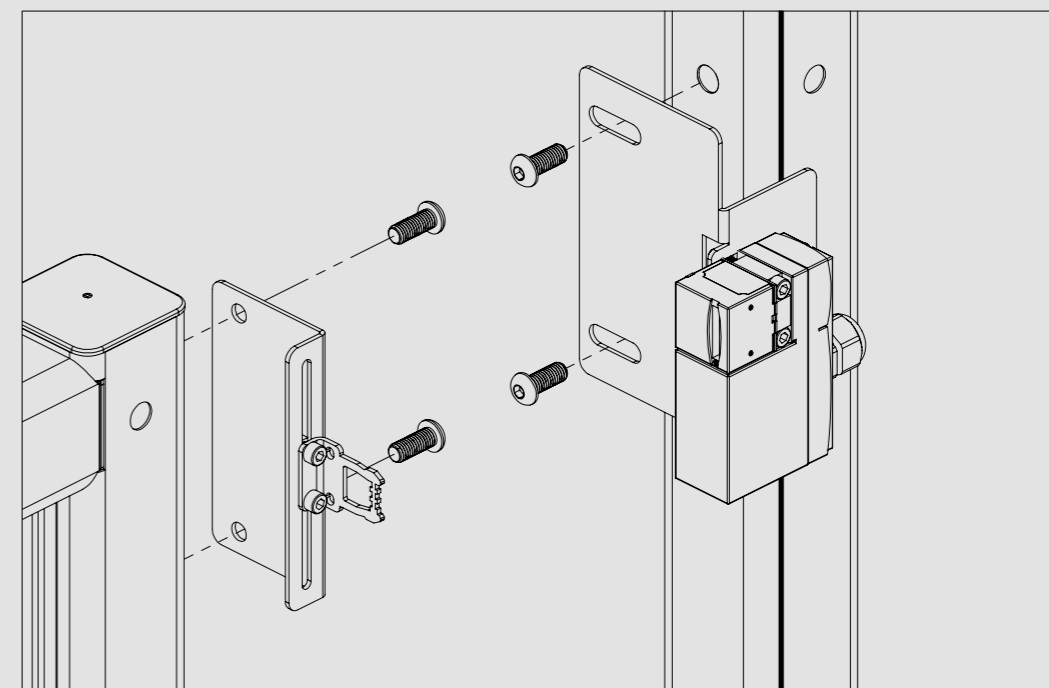
## FITTINGS FOR IDEC HS5L

711-003-018



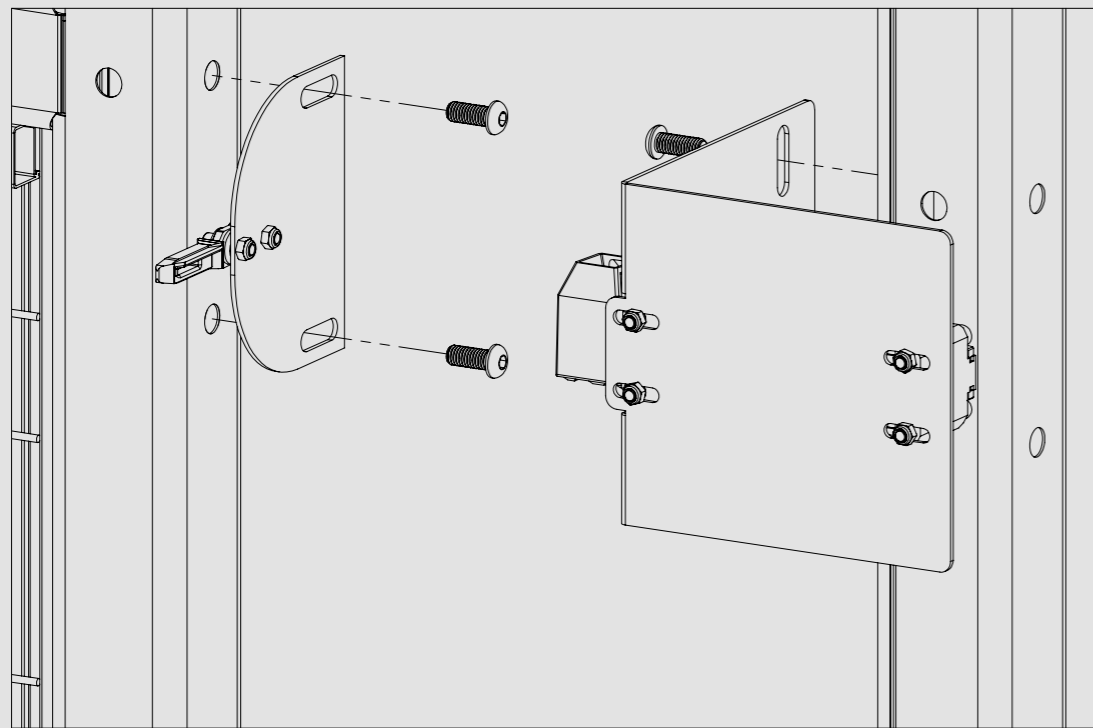
## FITTINGS FOR SCHMERSAL AZM 170

711-003-019



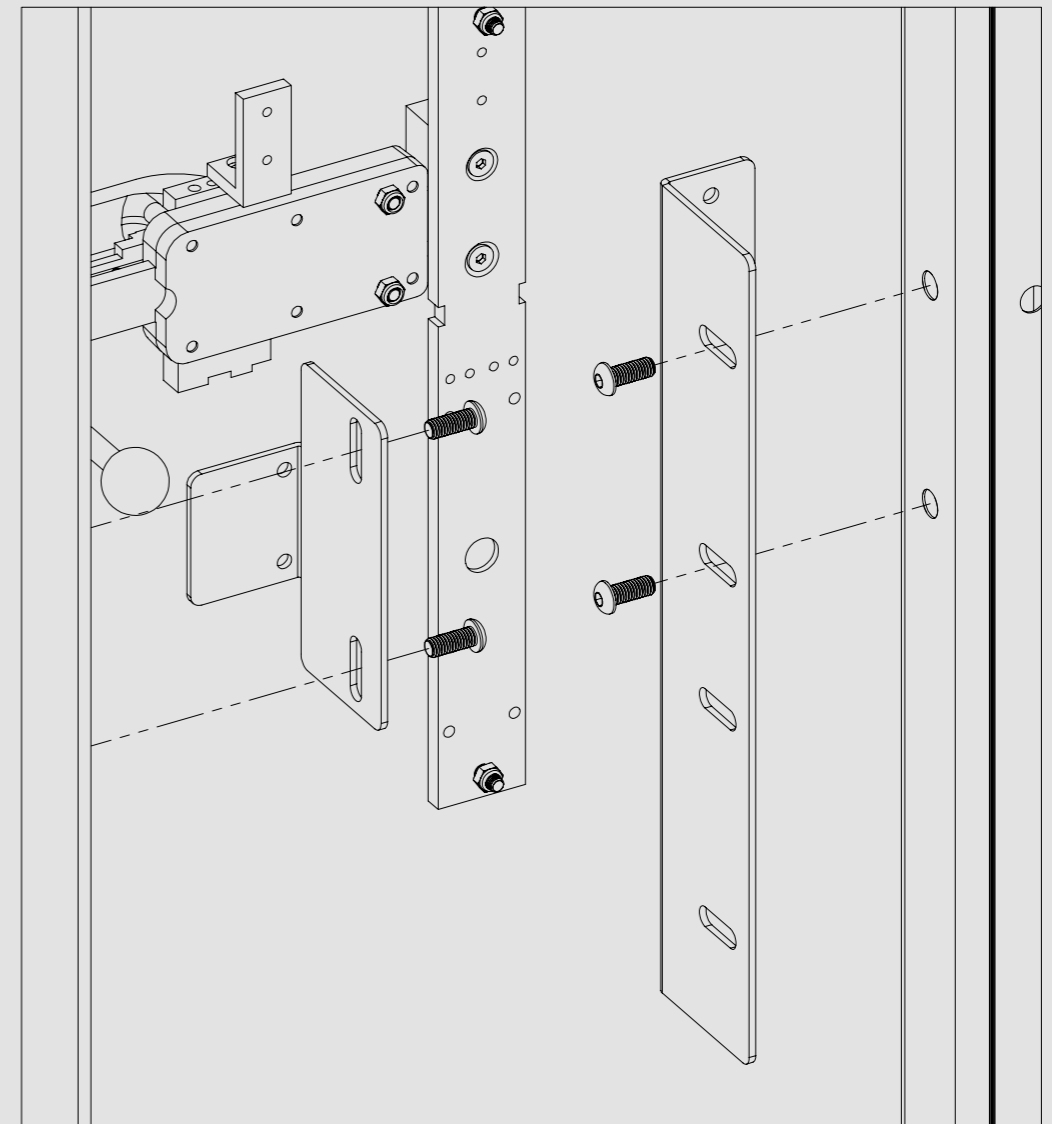
## FITTINGS FOR PILZ PSEN ME1S/1AS

711-003-020



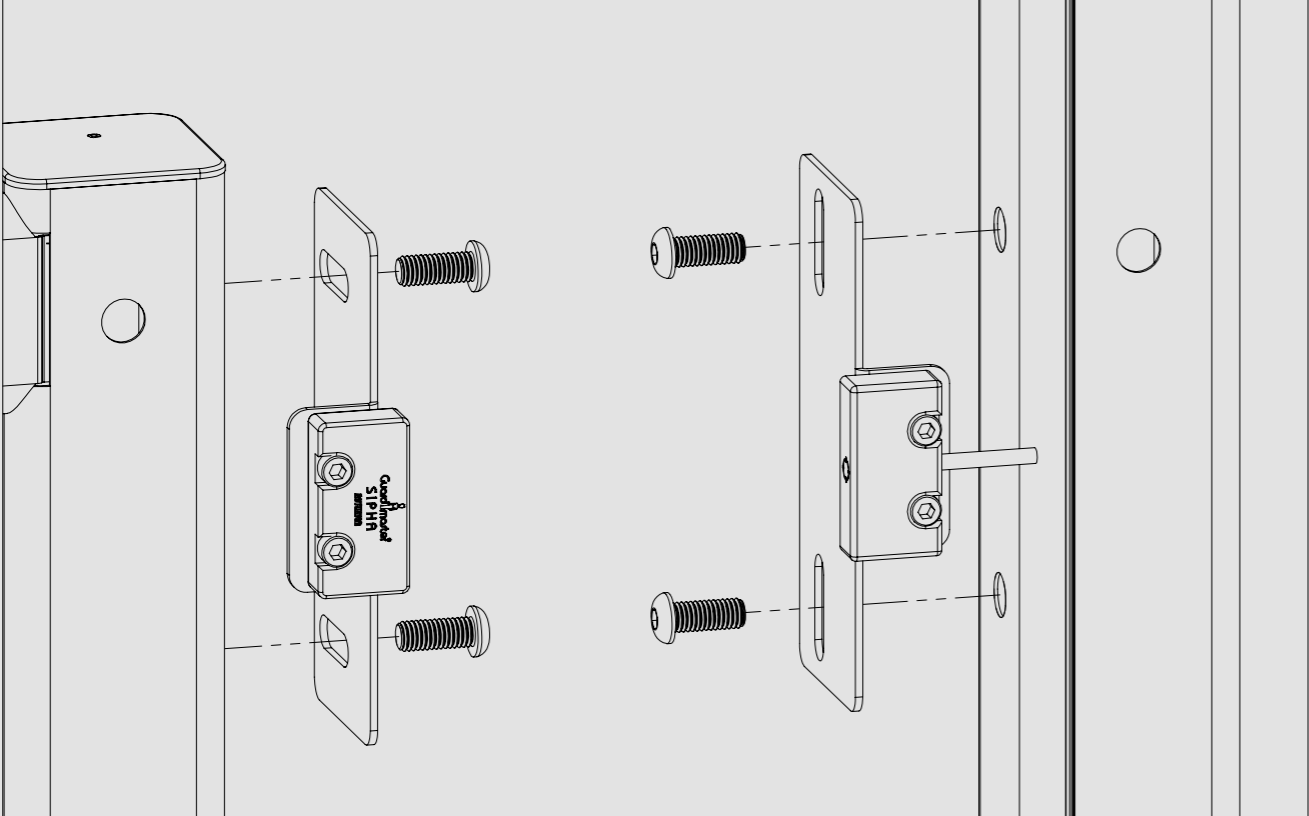
## FITTINGS FOR SICK MB1-BL11

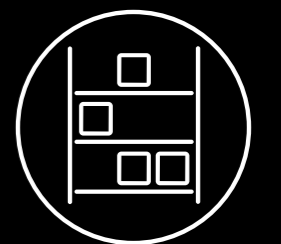
711-003-021



# FITTINGS FOR GUARDMASTER 440N-Z2NRS1A

711-003-023

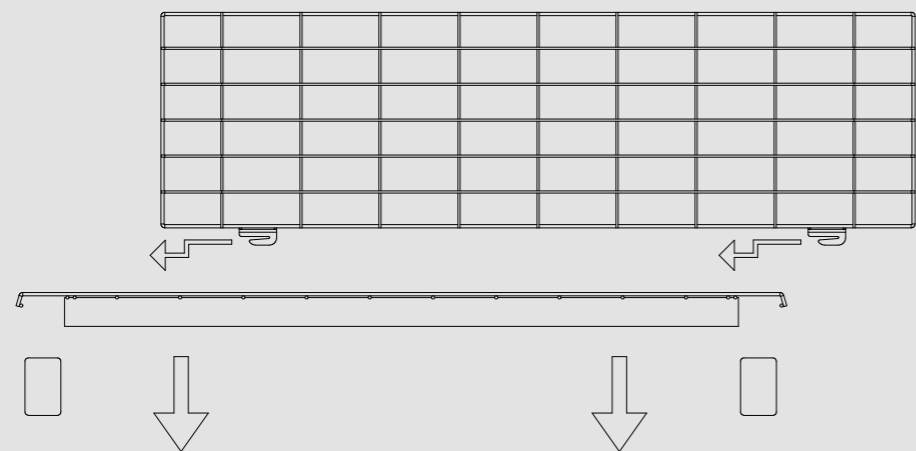
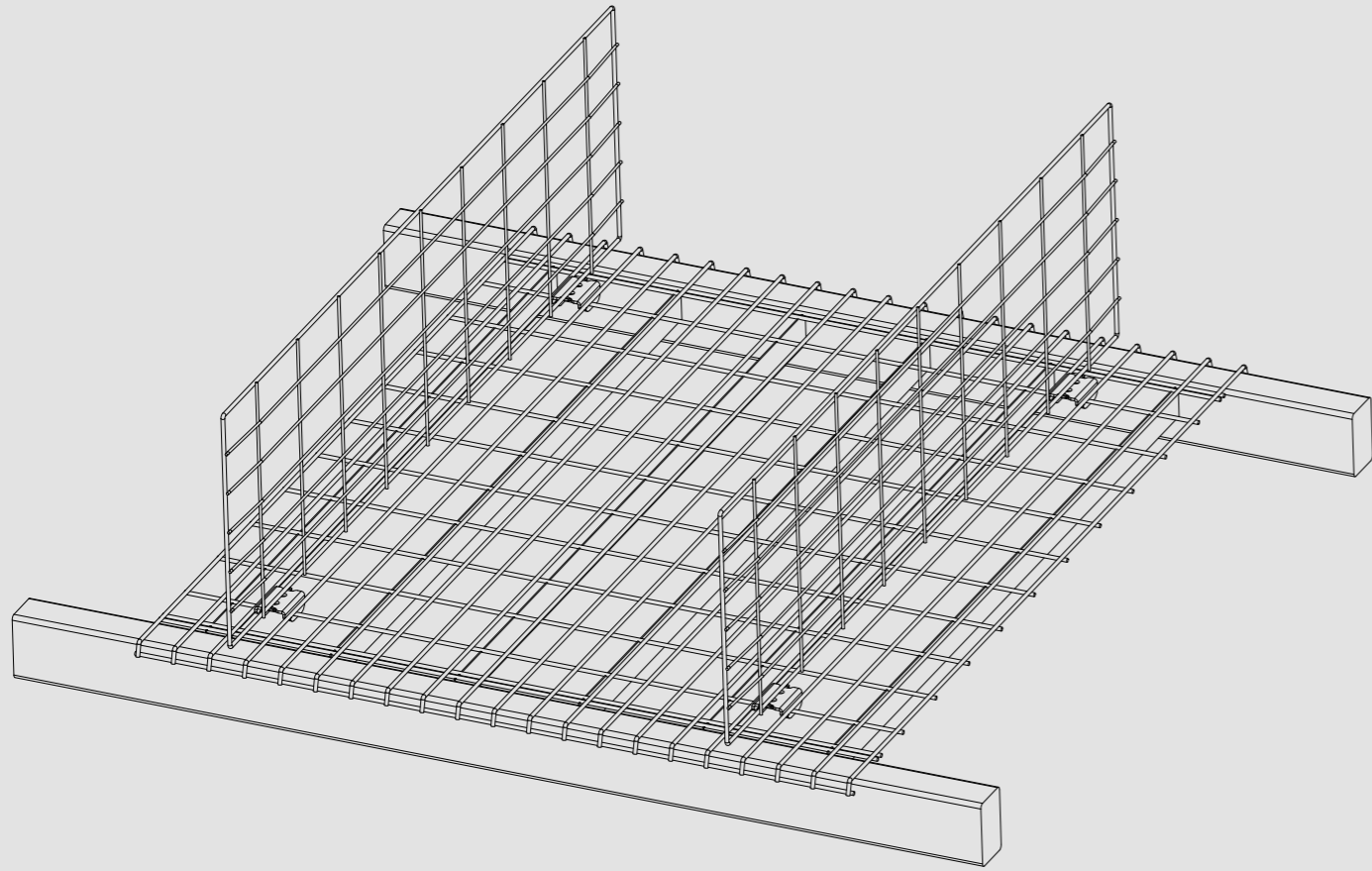




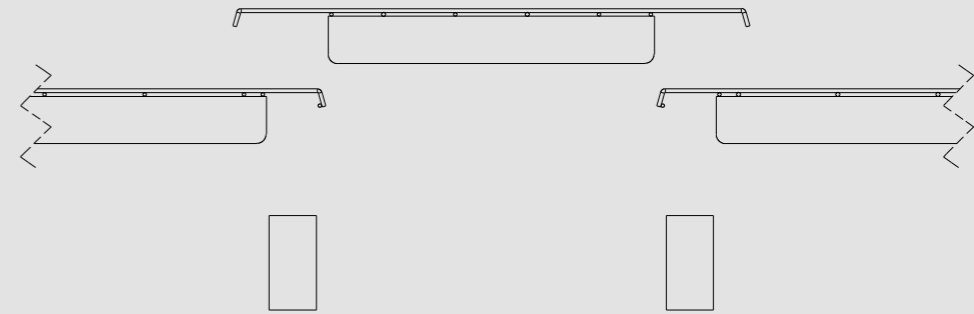
## **MESH DECKS**

*CUSTOMIZED MESH DECK TO  
SIMPLIFY YOUR EVERYDAY LIFE*

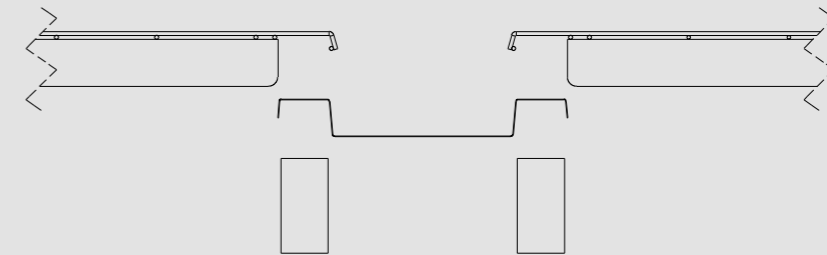
## DIVIDER



## MESH DECK DOUBLE RACKING



## STEEL PLATE DECK DOUBLE RACKING



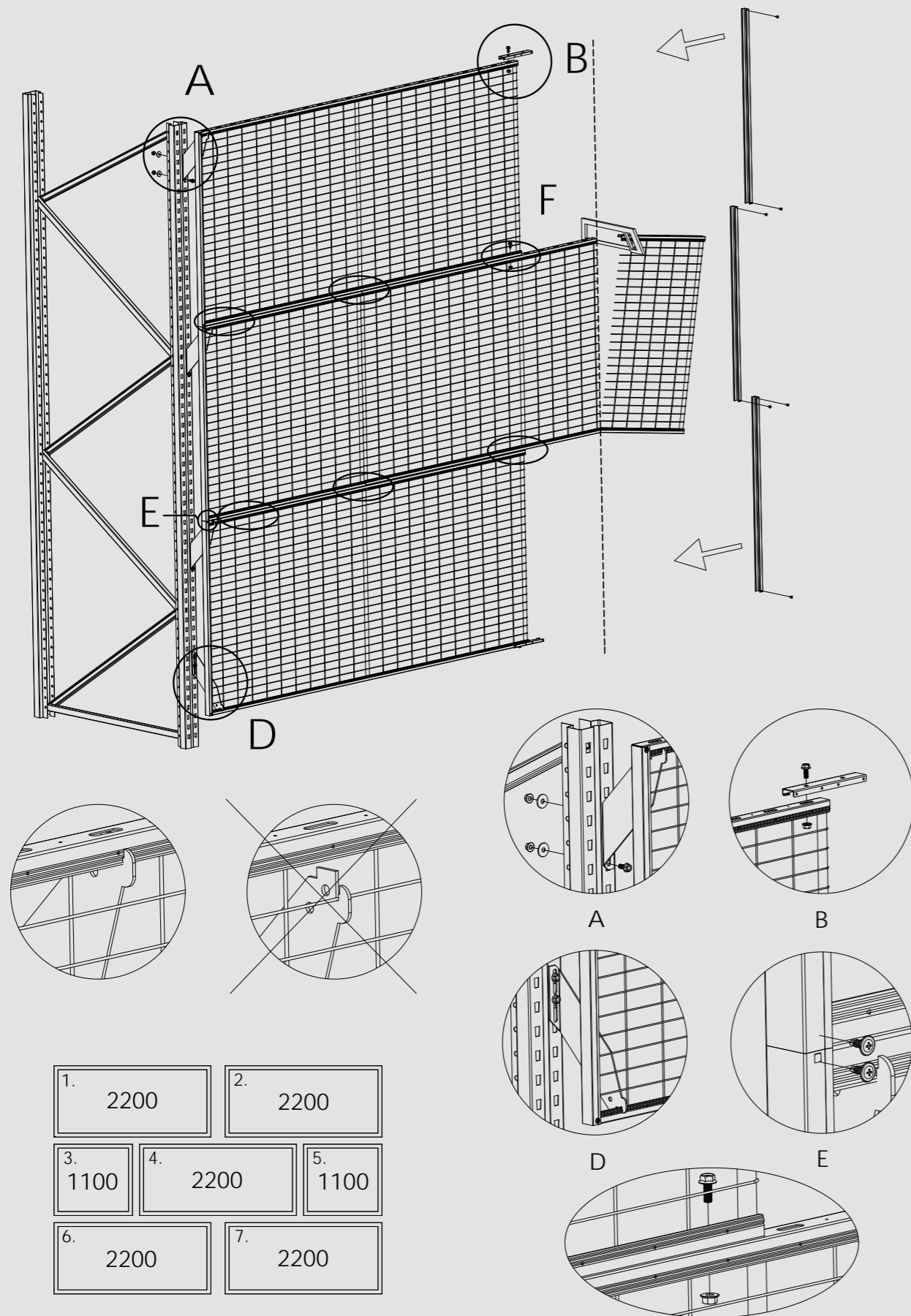




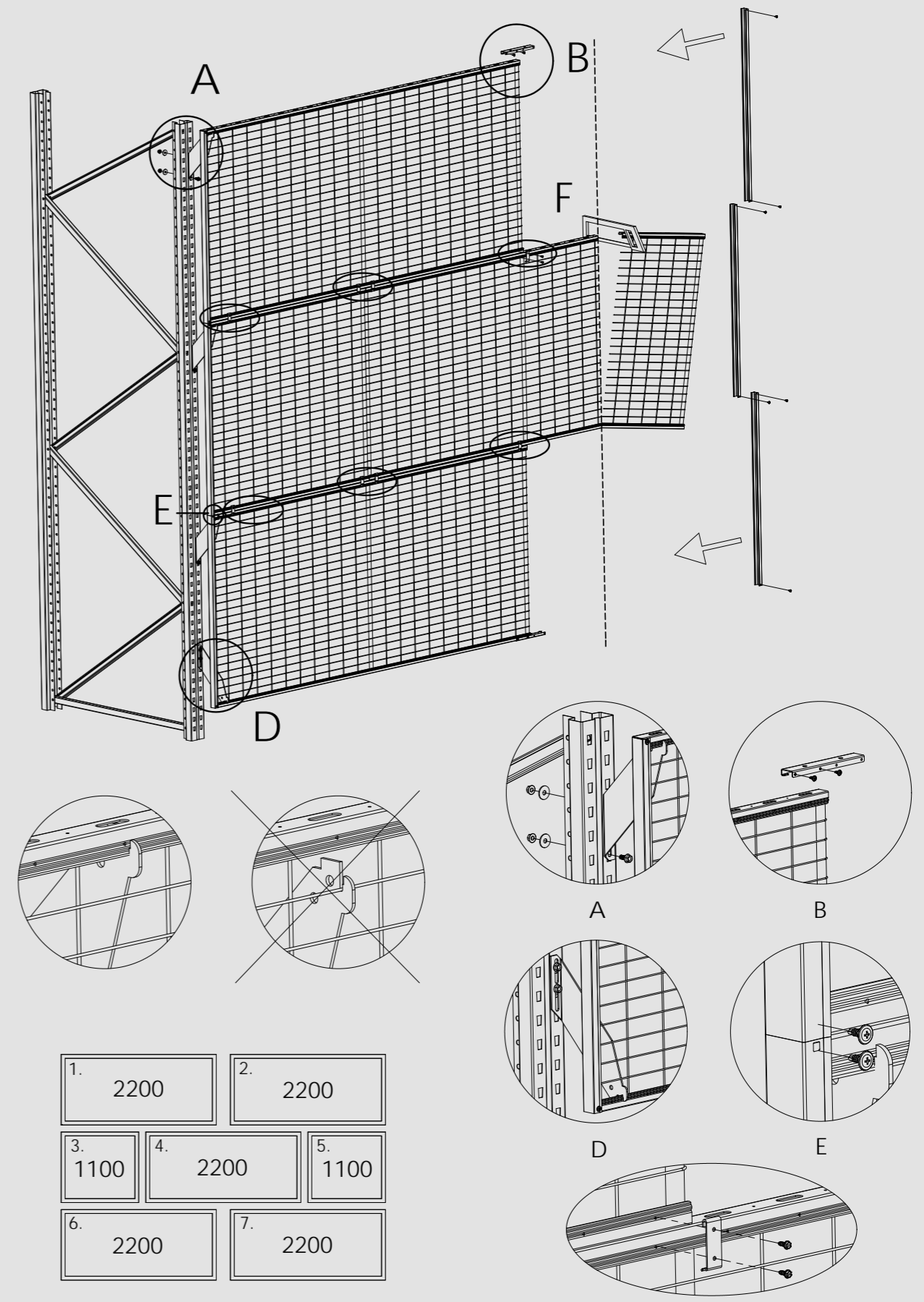
# REAR MESH

*REAR MESH THAT SIMPLIFIES  
YOUR EVERYDAY LIFE*

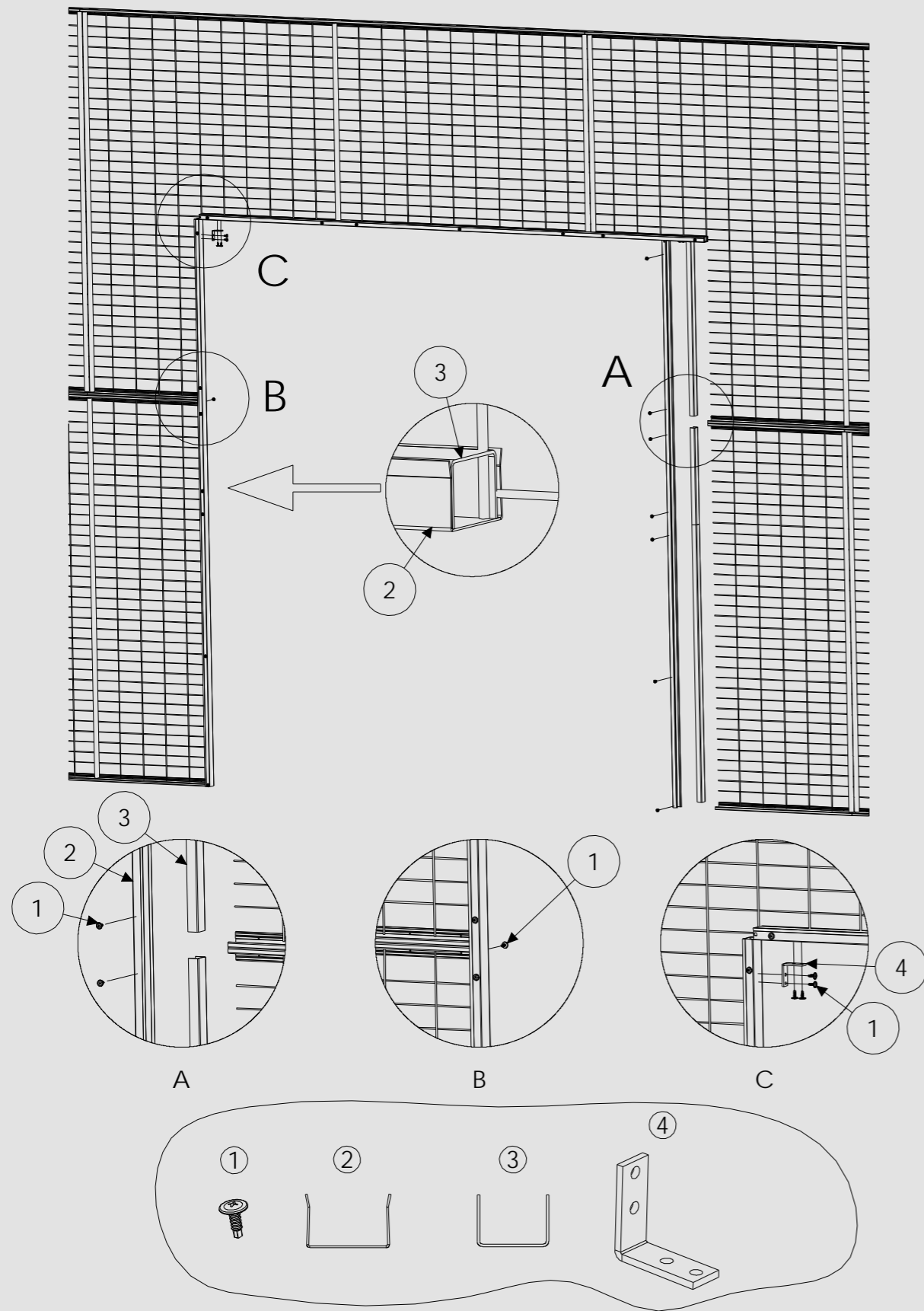
### ASSEMBLY DIRECTION, INSIDE



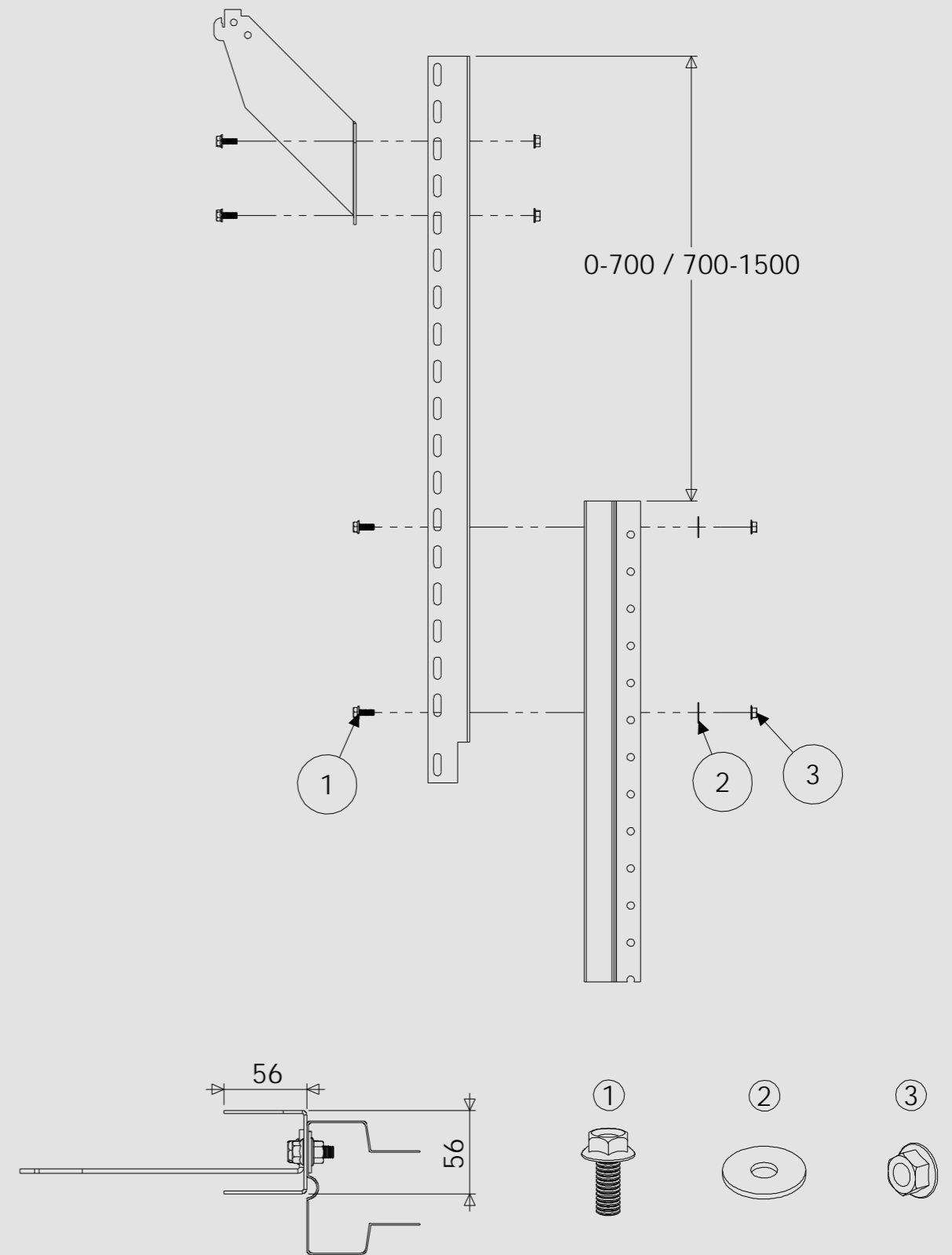
### ASSEMBLY DIRECTION, OUTSIDE



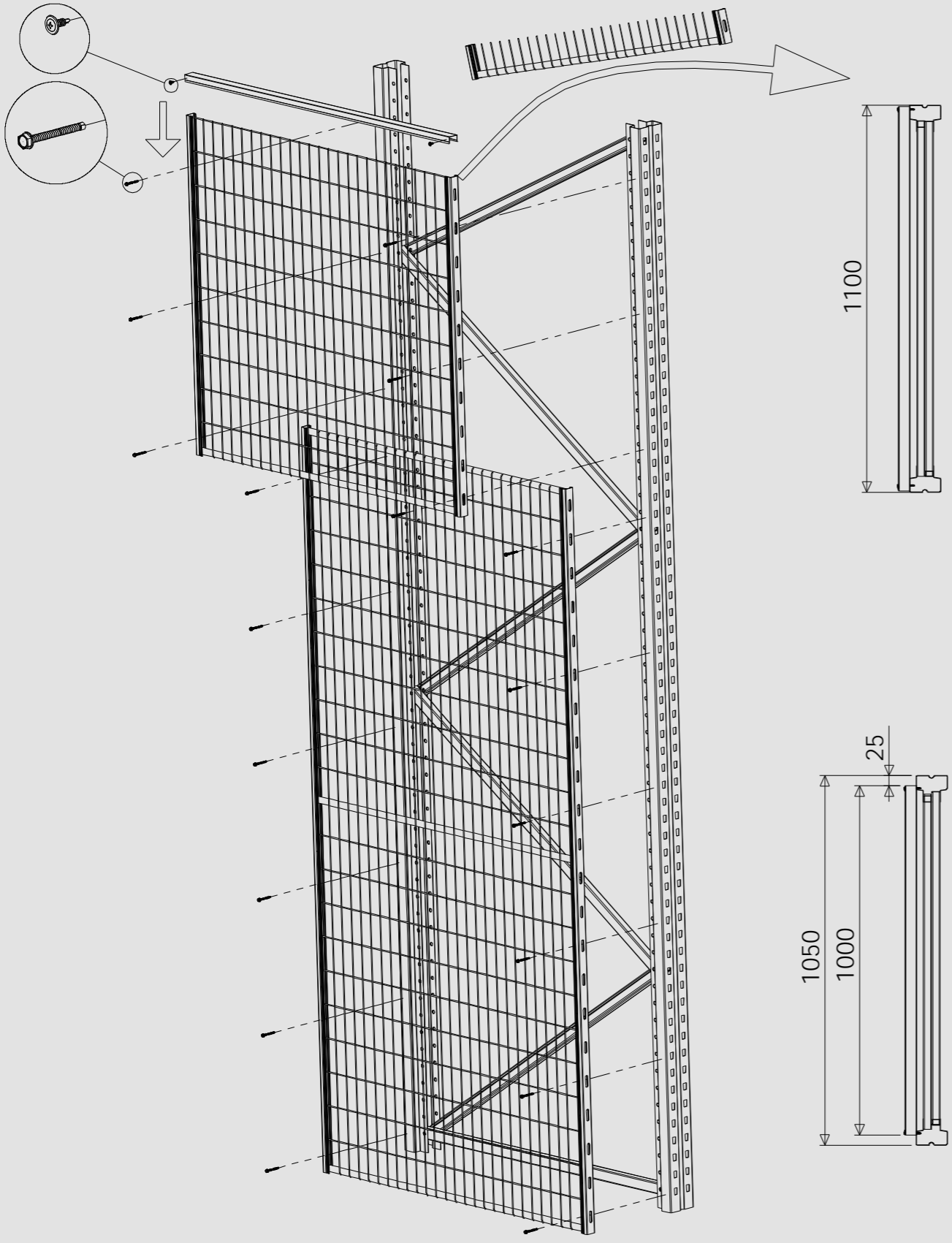
# OPENINGS



# POST EXTENSION FOR RACKING UPRIGHT



**SIDE OF RACKING MESH**







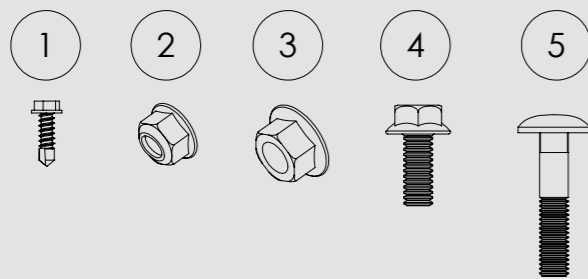
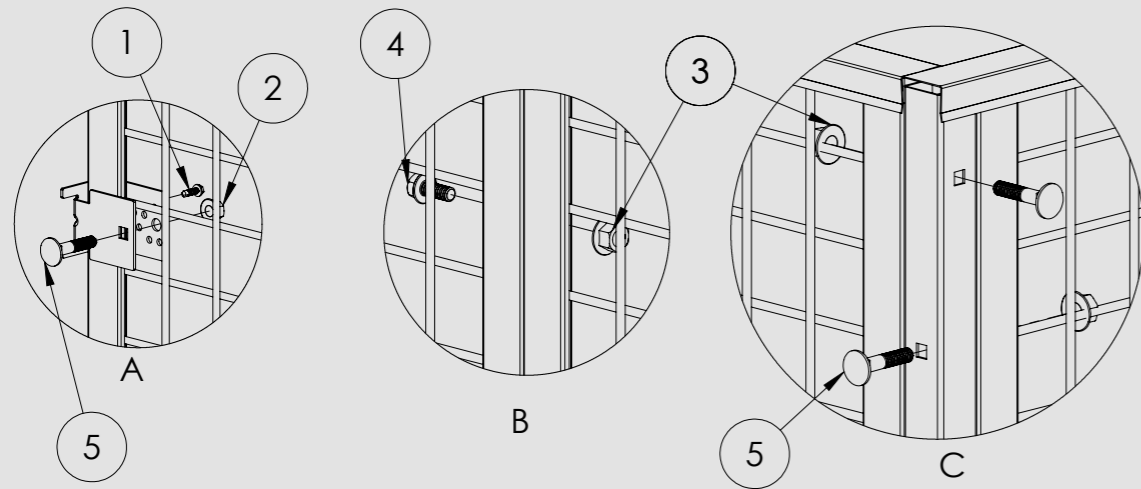
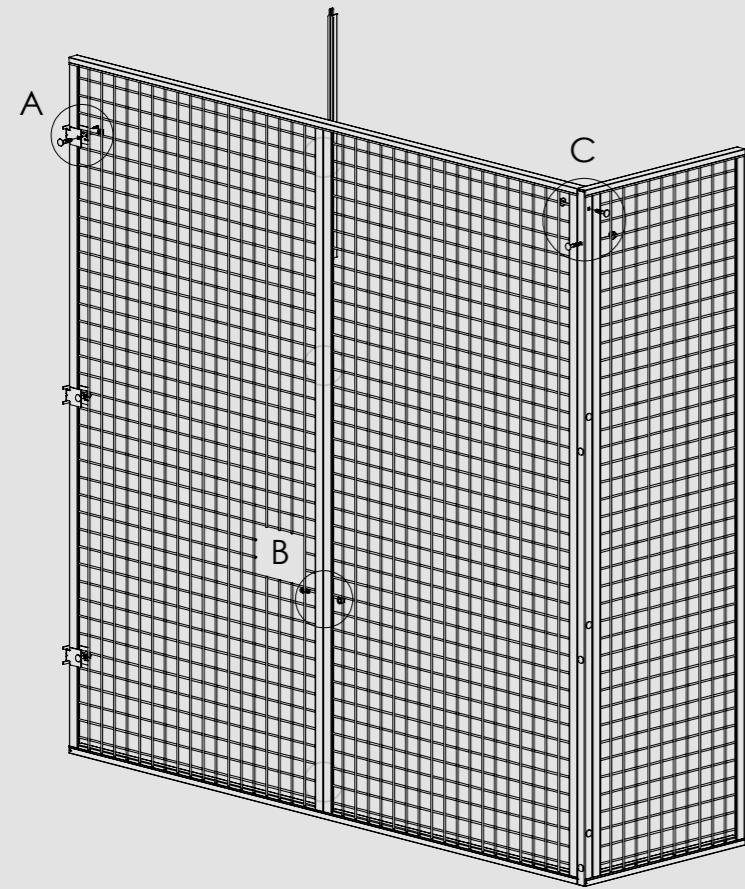
# PROPERTY PROTECTION

*PROPERTY PROTECTION THAT SIMPLIFIES YOUR EVERYDAY LIFE*

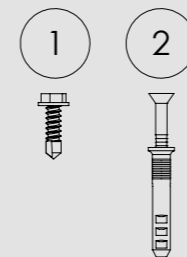
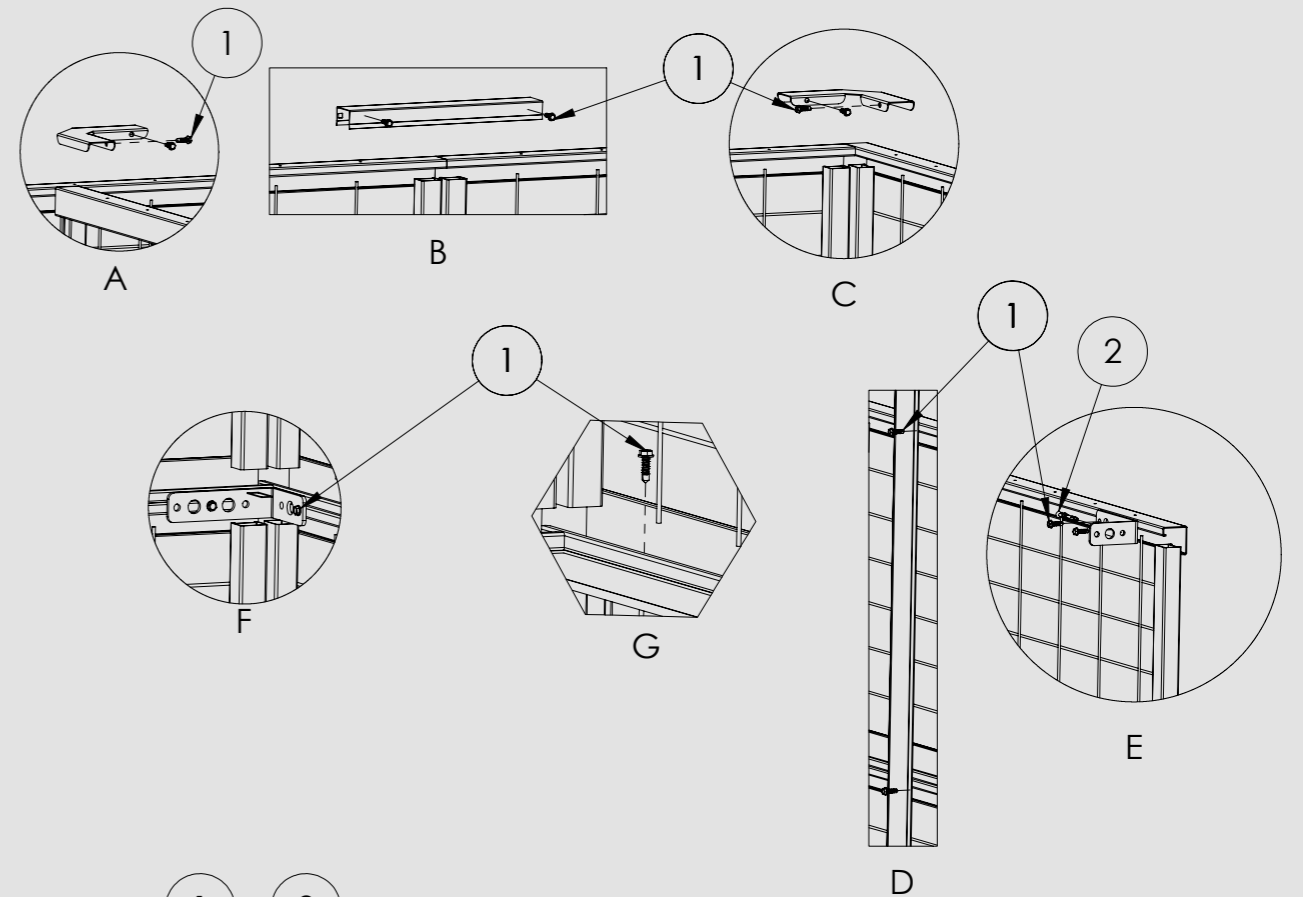
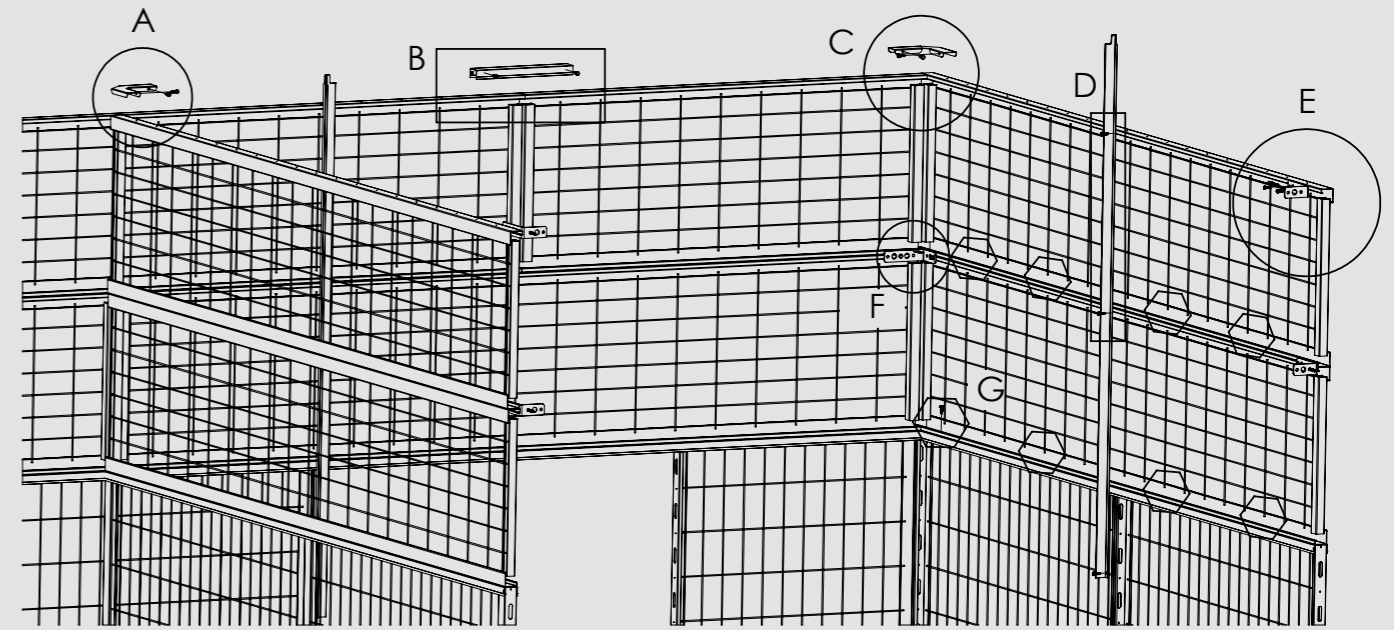




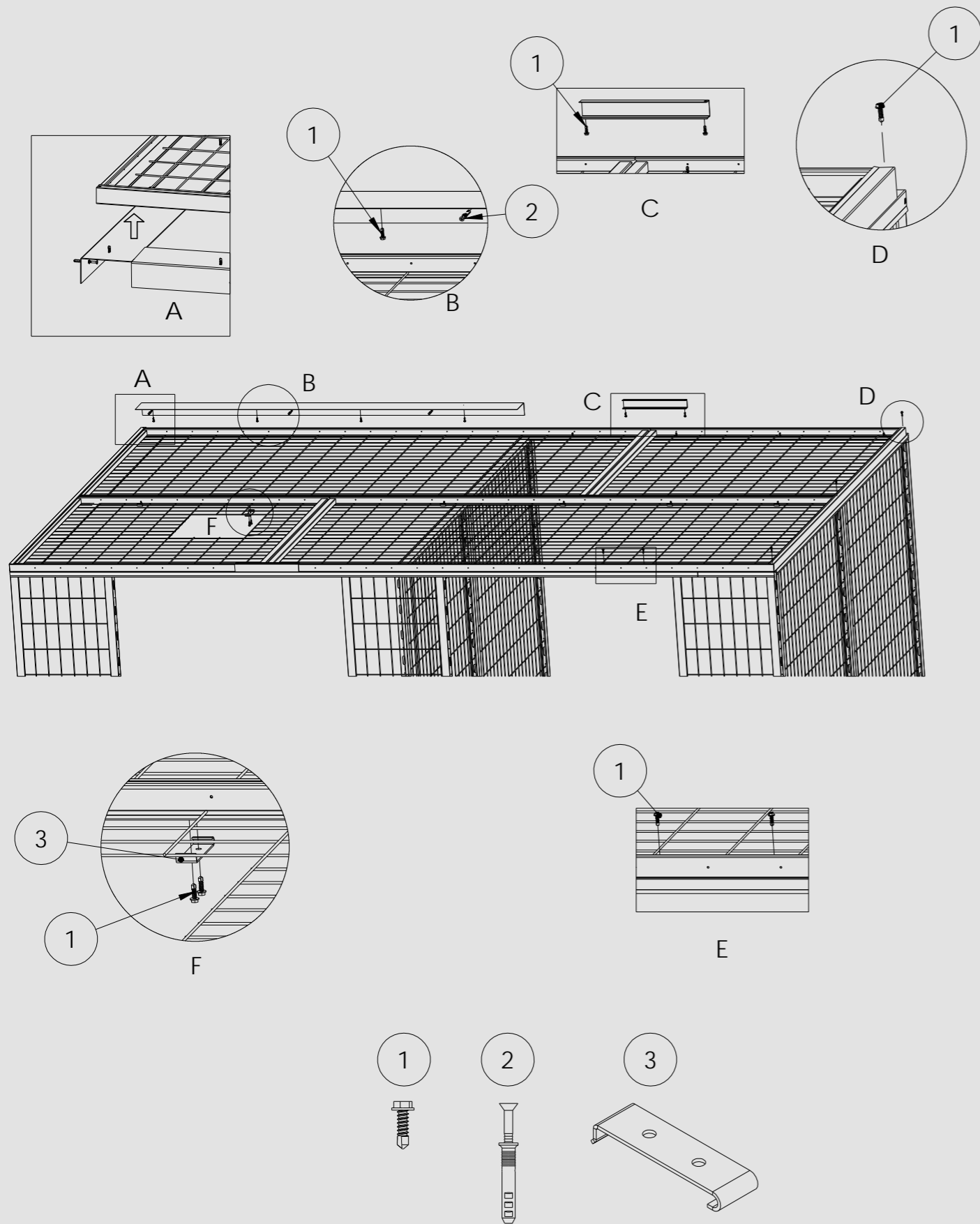
# WALLS G550



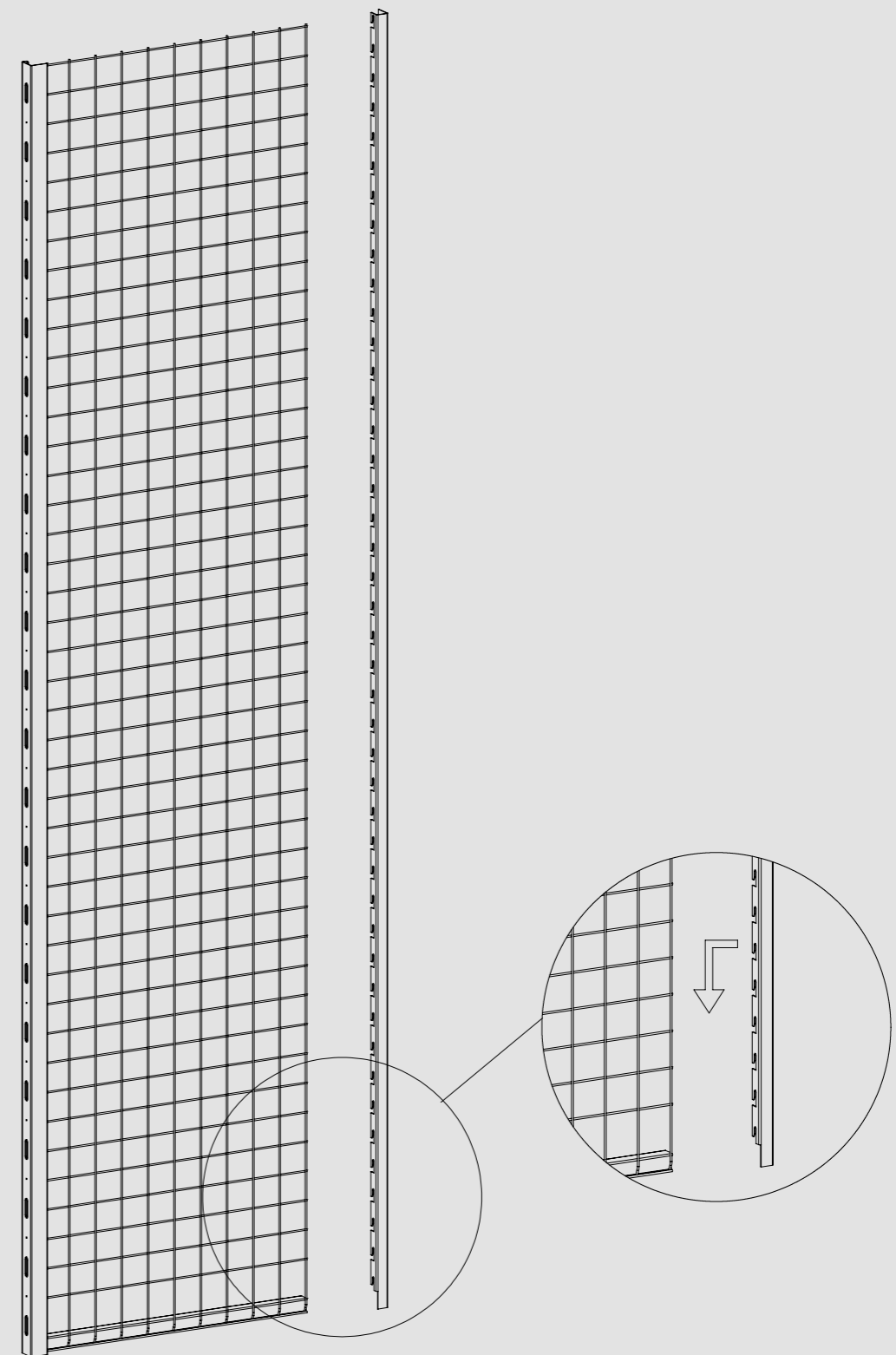
# WALL EXTENSIONS



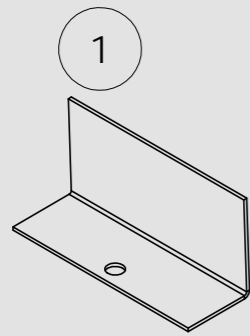
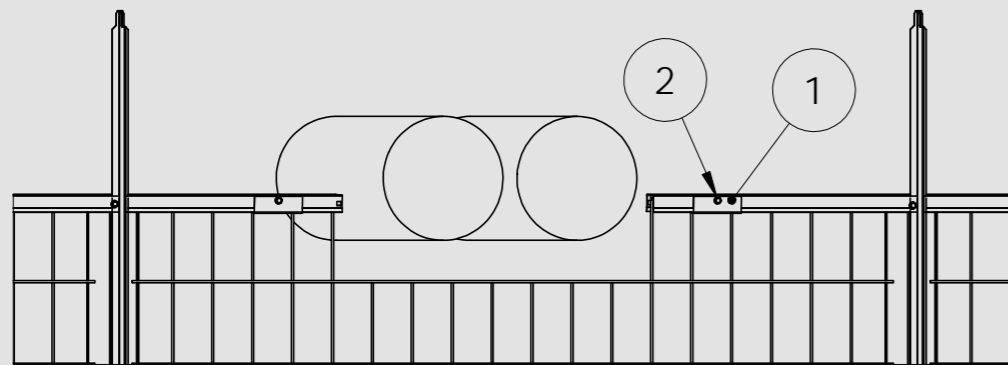
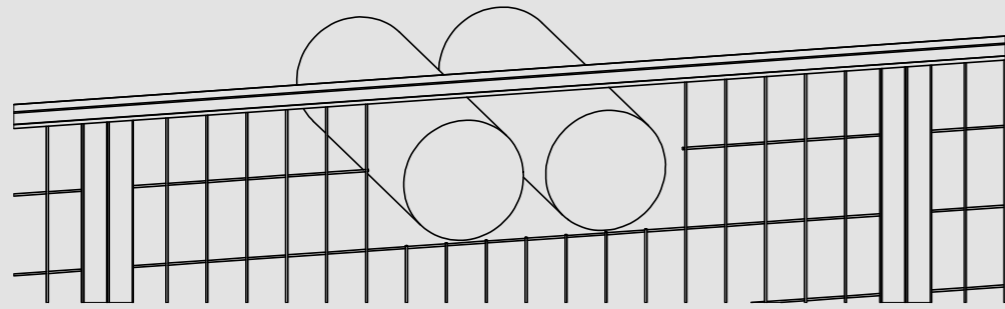
# ROOF



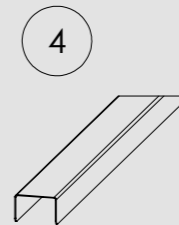
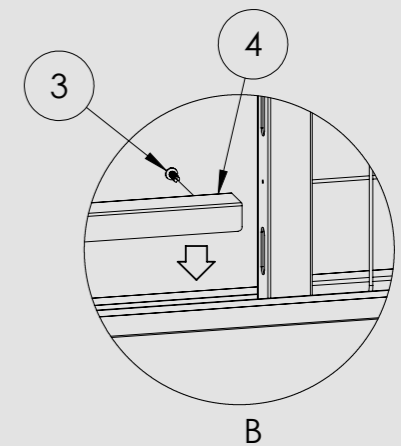
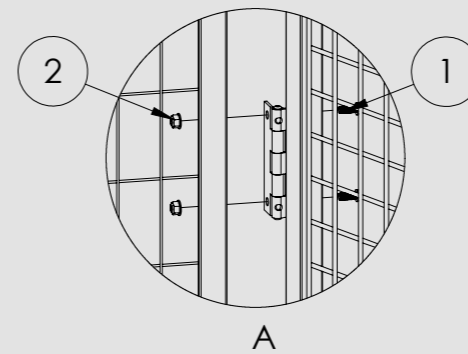
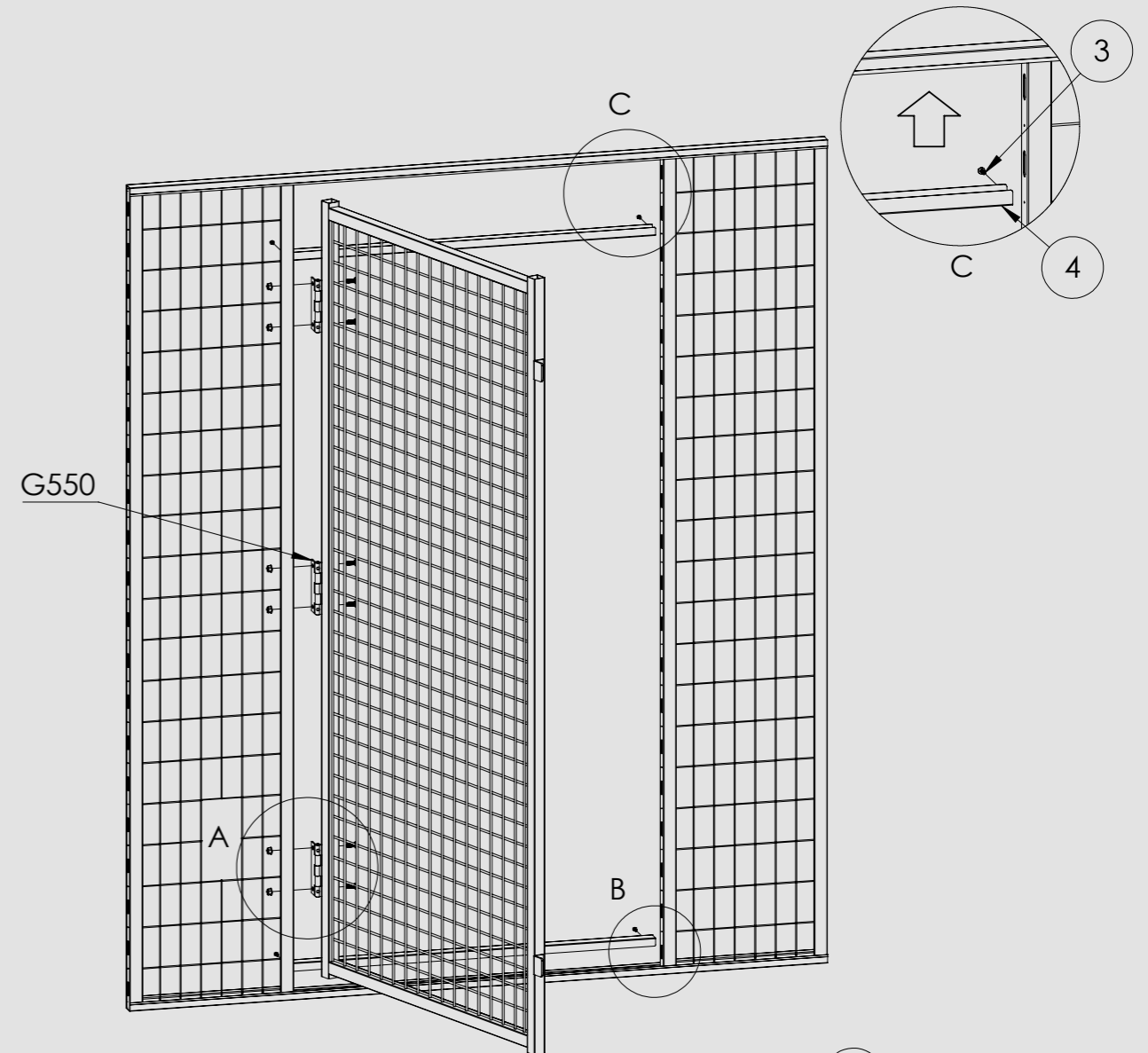
# VERTICAL CUTTING



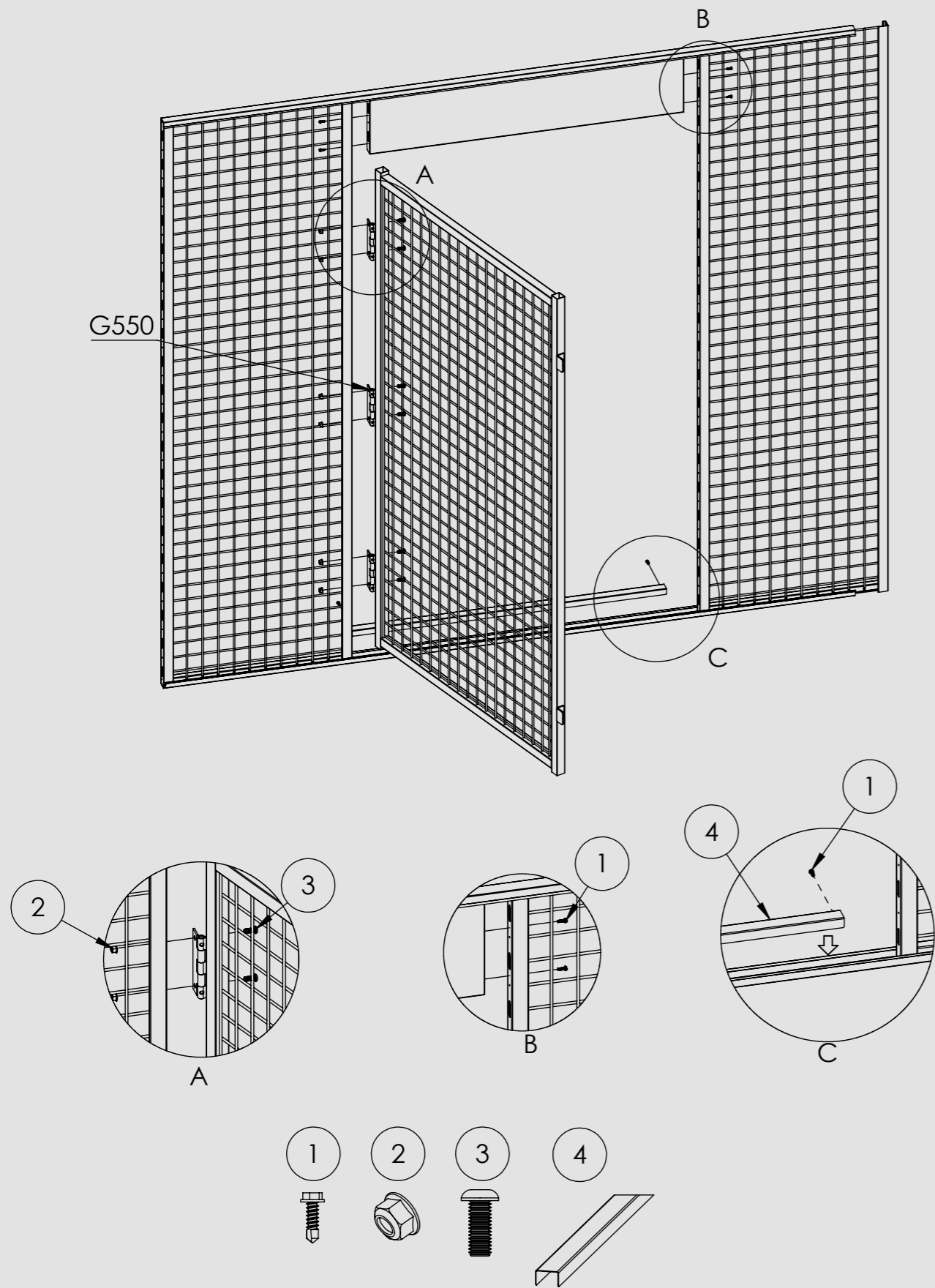
# OPENINGS



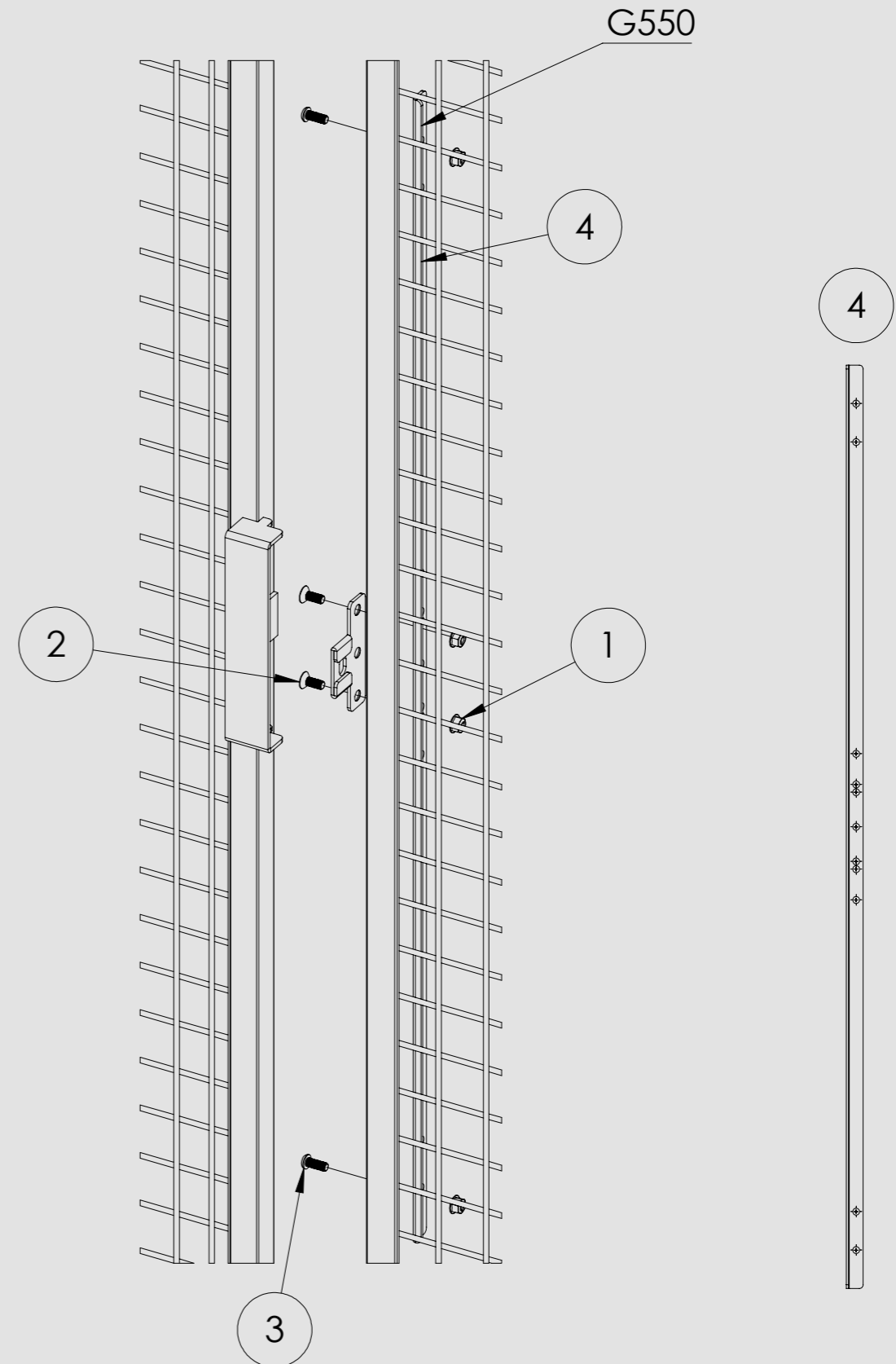
# DOOR WITH TOP PROFILE



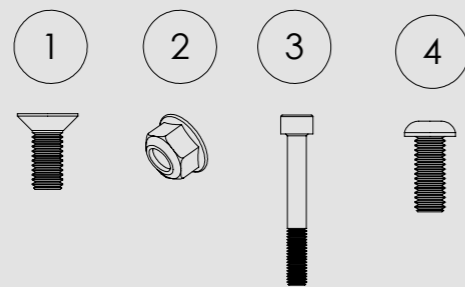
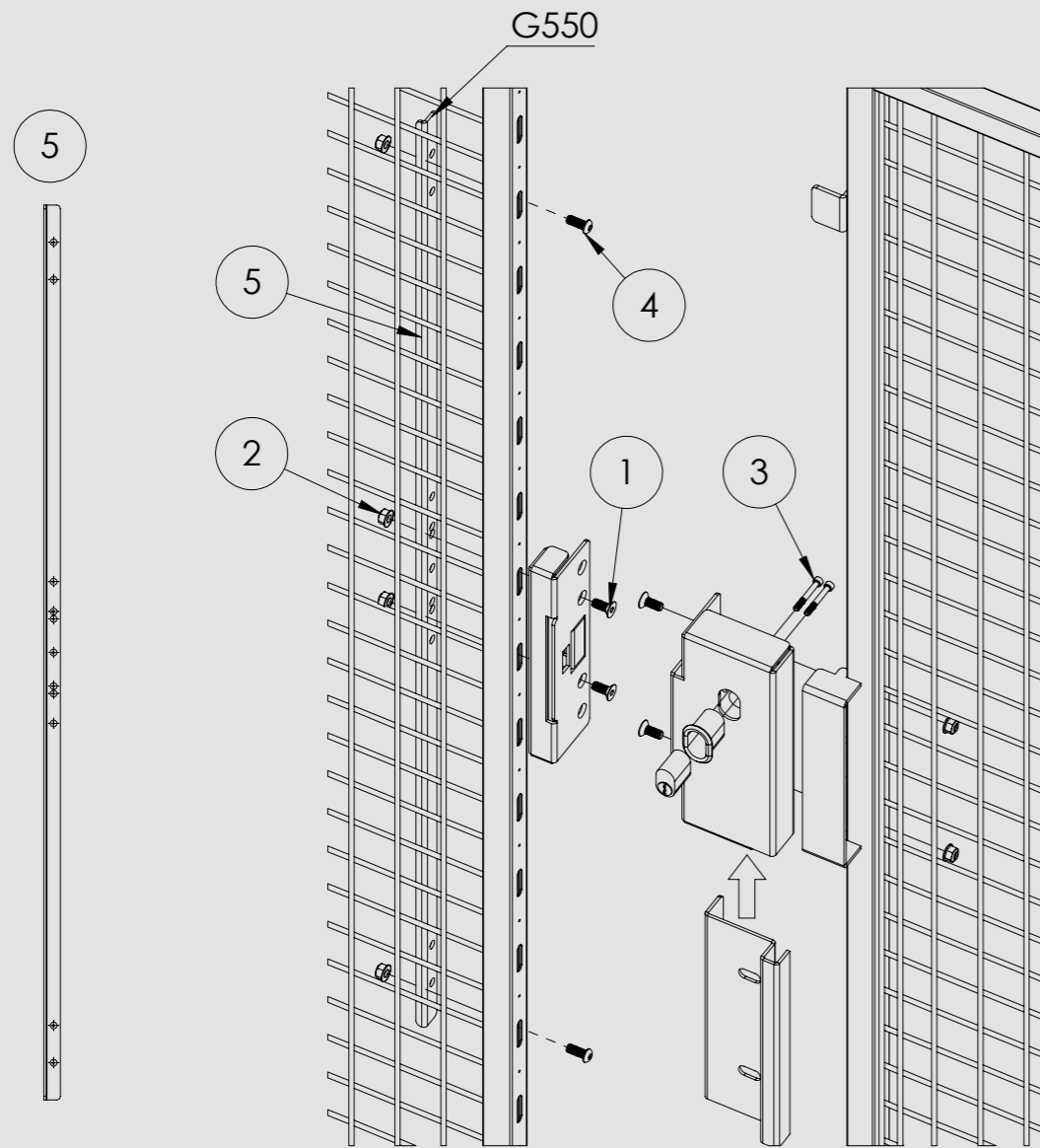
# DOOR WITH TOP PANEL



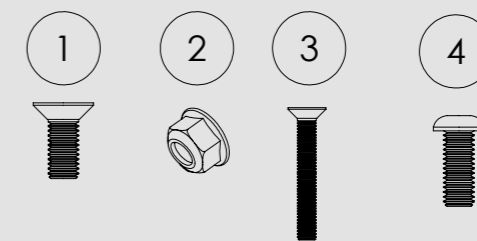
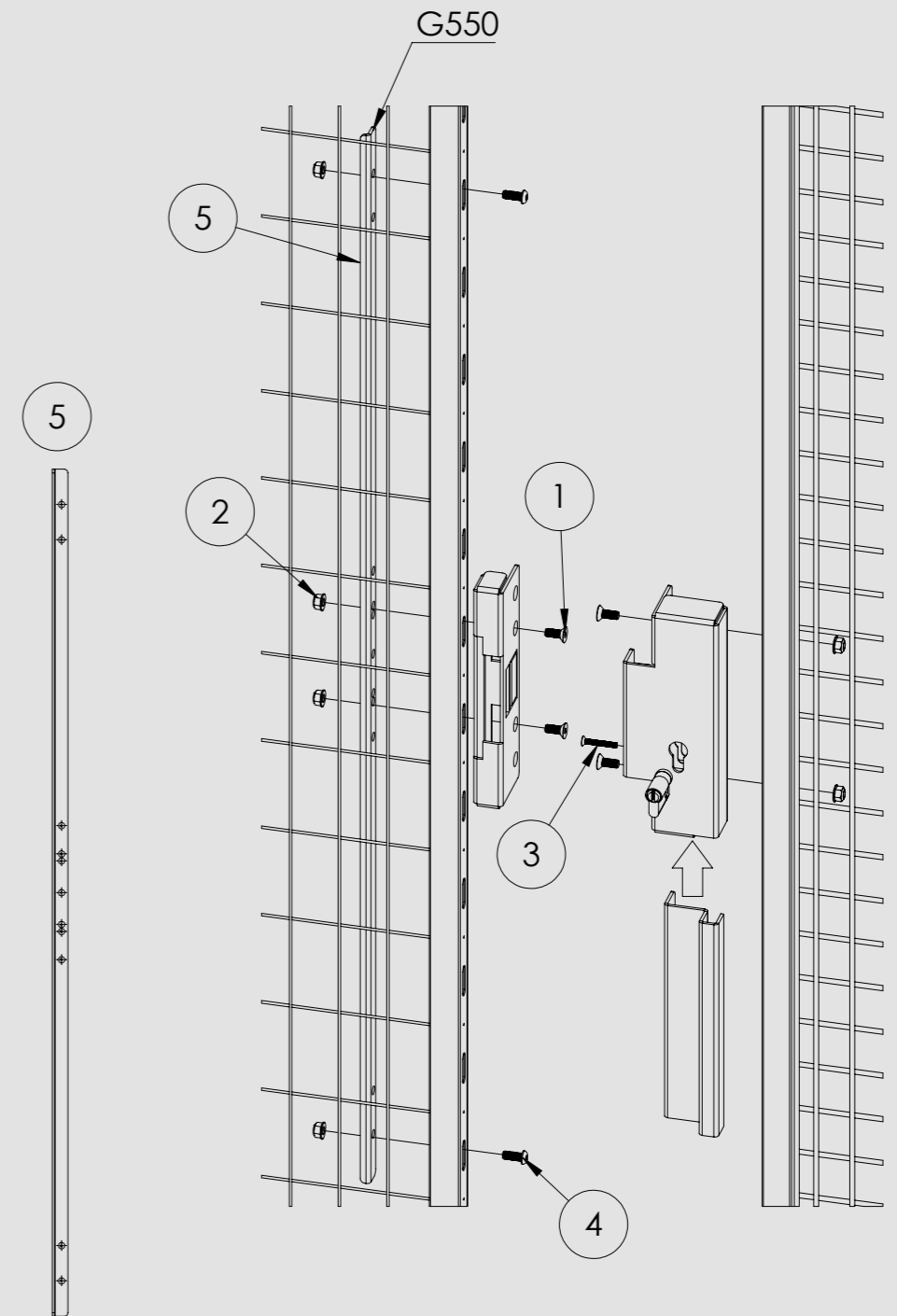
# PAD LOCK PLATES



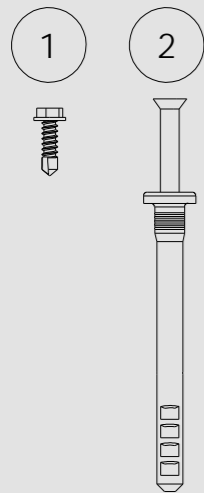
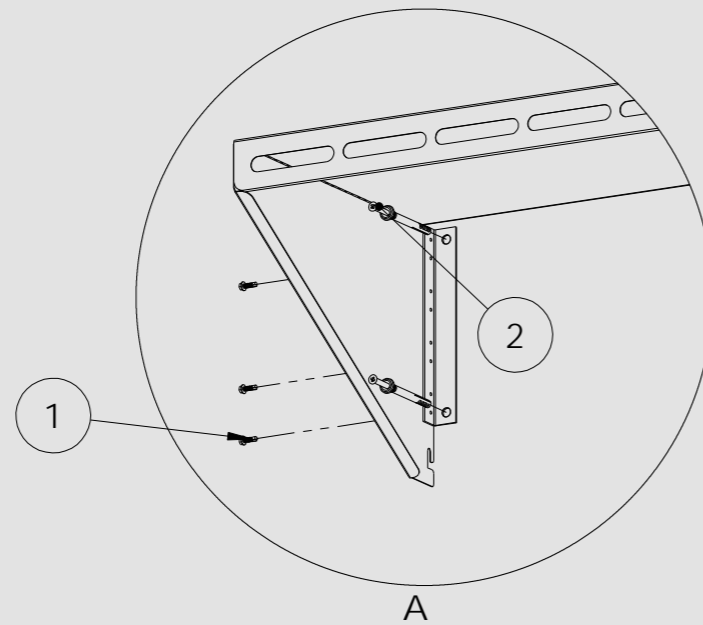
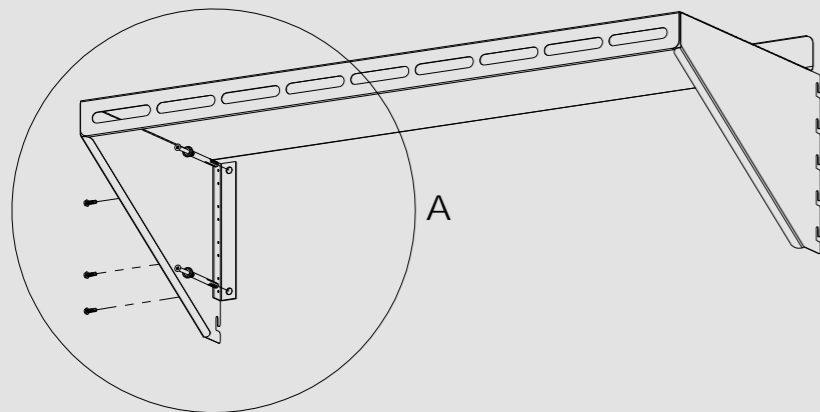
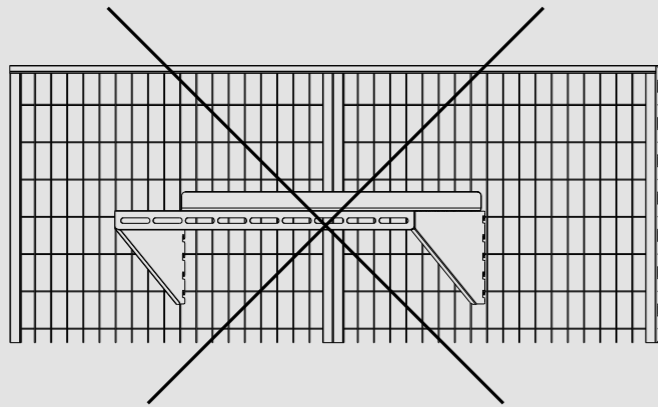
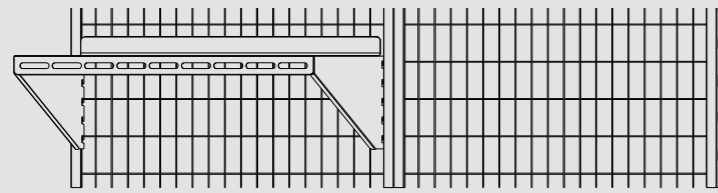
# SCANDINAVIAN OVAL PROFILE SINGLE CYLINDER



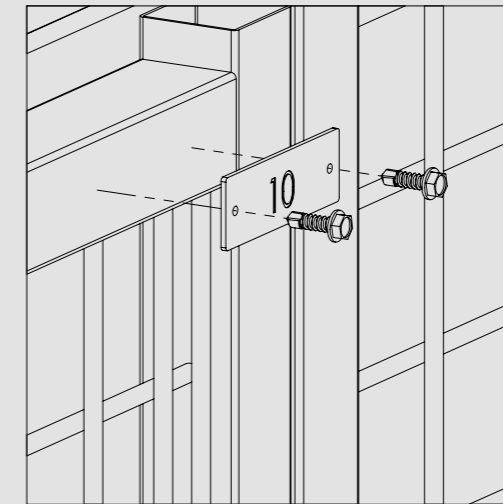
# 17MM EURO PROFILE SINGLE CYLINDER



## STEEL SHELF



## NUMBER PLATE FOR DOOR





+33 (0)2 40 77 83 84 [www.ouest-rayonnage.fr](http://www.ouest-rayonnage.fr)  
[contact@ouest-rayonnage.fr](mailto:contact@ouest-rayonnage.fr)

6 rue Descartes – Parc d'activités de Ragon  
44 119 Treillières

RAYONNAGE

PLATEFORME

AGENCEMENT

MANUTENTION

MOBILIER

BAC

RACK

MEZZANINE

CLOISON

RETENTION

EQUIPEMENT

CONTENANT